

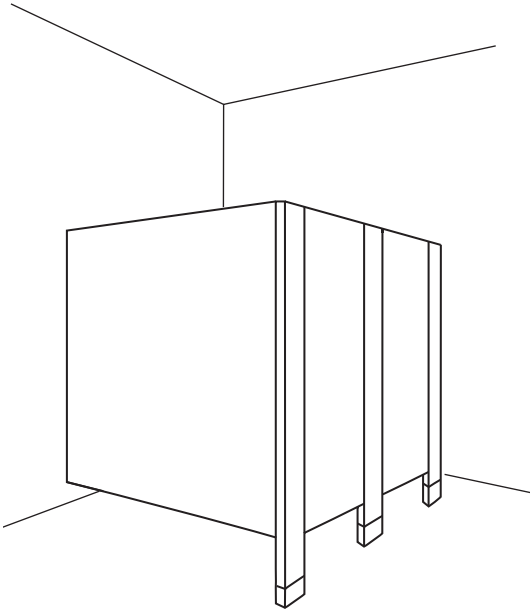
INSTALLATION INSTRUCTIONS

MAXIMUM PRIVACY

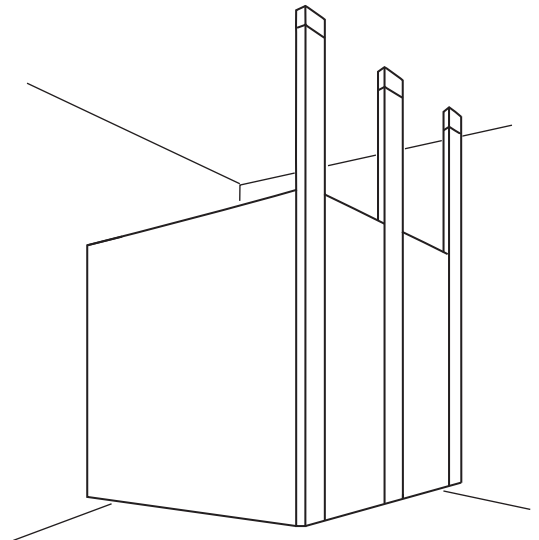
COMPACT GRADE LAMINATE (CGL)
TOILET PARTITIONS

2080 DuraLineSeries® • 2180 DuraLineSeries® Class-A Fire Rated
Includes Institutional Hardware Option .67

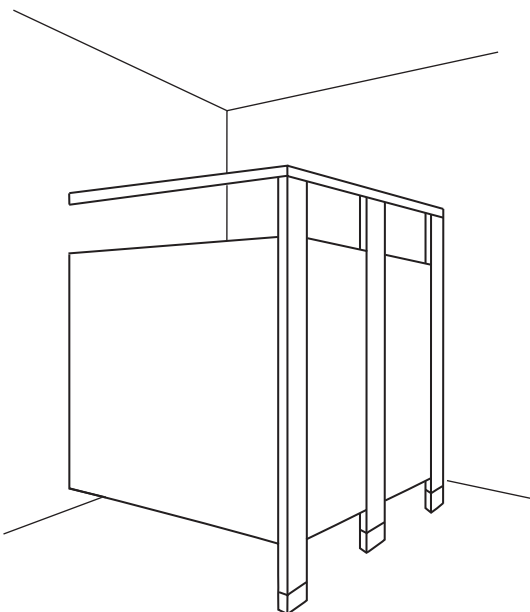
Floor Anchored



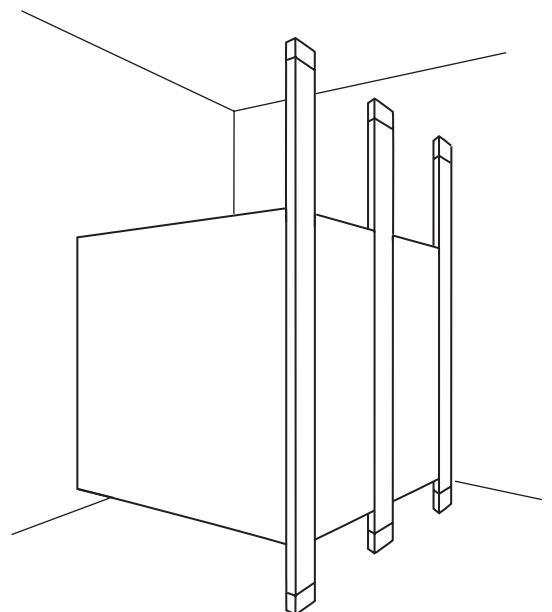
Ceiling Hung



Overhead Braced



Floor-To-Ceiling Anchored



BOBRICK

**IMPORTANT: Storage and Handling Information on last page.
Review these instructions thoroughly prior to installation.**

PREPARATION

PRE-INSTALLATION.

- A. Structural support in walls and floors is not furnished by Bobrick. Confirm that adequate backing is present in wall, ceilings, and floors prior to installation.
- B. This installation booklet must be used with the Bobrick layout sheets.
- C. You may verify hardware receipt by cross-referencing the last page of the layout sheets against the box contents.

INSTALLATION STEPS.


Lay Out All Anchor Locations.....	Page 3
Install Floor Anchors.....	Page 4
Install Ceiling Anchors.....	Page 5
Brackets & Screws	Page 6 & 7
Install Wall Brackets-Commercial Hardware	Page 8
Install Wall Brackets-Institutional Hardware.....	Page 9
Position Panels.....	Page 10
Install Stile-To-Panel Brackets-Commercial Hwd.....	Page 10
Install Stile-To-Panel Brackets-Institutional Hwd.....	Page 11
Install Stiles & Set Door Openings.....	Page 12
Install Headrail (if applicable).....	Page 13
Install Inswing Doors-Commercial Hardware.....	Page 14
Install Inswing Doors-Institutional Hardware	Page 15
Install Outswing Doors-Commercial Hardware	Page 16
Install Outswing Doors-Institutional Hardware	Page 17
Install Wall Mounted Keeper (if applicable).....	Page 18
Install Occupancy Latch & Keeper (if applicable).....	Page 19 & 20
Install Shoes	Page 21
Install Support Bracket (if applicable).....	Page 22
Finishing And Cleanup.....	Page 22



- A. Organize components with appropriate hardware.
- B. When calculating distances to centerlines, stiles, and doors are 3/4" (19mm) thick; panels are 1/2" (13mm) thick.
- C. Look for panel-to-stile offsets indicated on the layout sheets.
- D. Pilot hole sizes vary by application. Read all directions carefully and use a drill stop to ensure you do not drill through material in error.
- E. Doors are not pre-drilled for clothes hooks.
- F. On inswing doors the latch track projects past the edge of door to act as a doorstop.
- G. Keepers are not drilled to allow easier stile leveling.
- H. Remove debris from all drilled holes.

RECOMMENDED TOOLS.

CAUTION: Be sure to use proper safety gear.

- 1.  Chalk Line
- 2.  Self Leveling Laser Device
- 3.  Masking Tape (for laying out holes on floors/walls/ceilings to be drilled)
- 4.  Tape Measure and Pencils
- 5.  Center Punch
- 6.  Electric and/or Battery-Powered Drill
- 7.  Drill Bits
#19 (.166")
3/16" (4.7mm)
3/8" (9.5mm) for Concrete/Masonry
7/16" (11mm)
- 8.  Screwdrivers/Screwdriver Bits flathead and phillips, #2 and #3
- 9.  Pin-in-Head Torx Screw Driver - (to install door hardware)—Supplied by Bobrick.
- 10.  Shims
- 11.  Adjustable Supports
1-1/2" to 12" (40-105mm)
- 12.  Level
- 13.  Wrench - Adjustable 9/16" (14mm) open end (2 req'd. for adjusting hex nuts on anchors)
- 14.  Allen Wrench - 5/64" (2mm) (to install door latch)—Supplied by Bobrick.
- 15.  Hack Saw
- 16.  Hammer

STEP 1

LAY OUT ALL ANCHOR LOCATIONS

LAYOUT EXAMPLES.

LEGEND:  Obtain Dimension from Bobrick Layout Sheet.

Fig. 1a: Floor-Anchored or Ceiling-Hung Front-Entry Corner Layout.

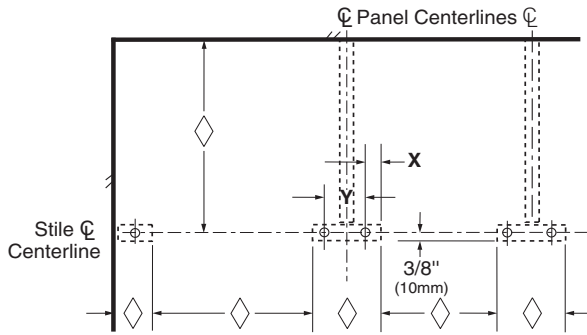
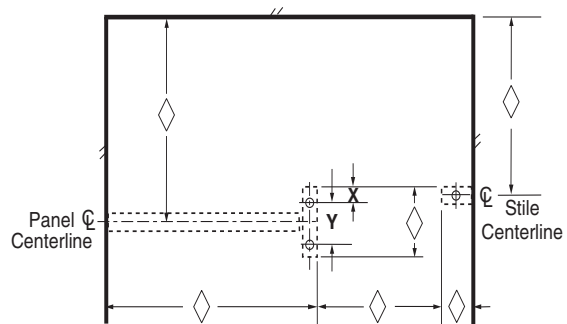
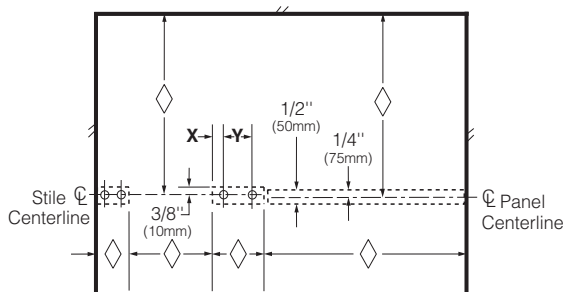


Fig. 1c: Floor-Anchored or Ceiling-Hung Alcove Closed Layout.



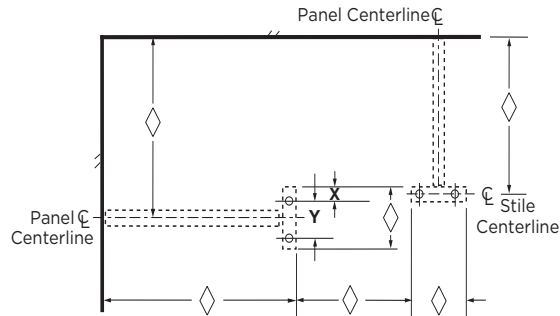
Note: The center stile is perpendicular to panel.

Fig. 1b: Overhead-Braced Alcove Closed Layout.



Note: The stiles are in-line with panel.

Fig. 1d: Floor-Anchored or Ceiling-Hung Alcove Open Layout.



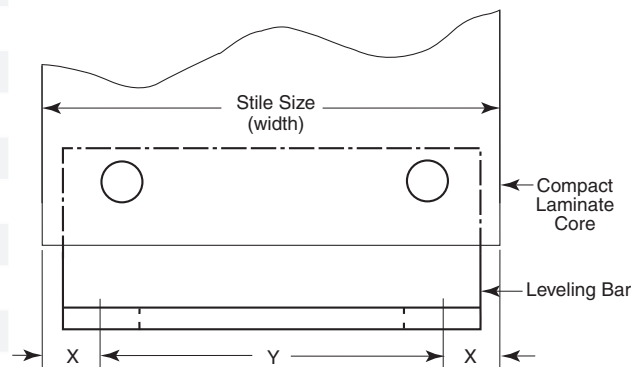
Note: The center stile is perpendicular to panel.

- Refer to Bobrick layout sheets for component locations on your specific application.
- From back wall, measure and mark the location of the stile centerline. Stile centerline = 3/8" (10mm) + panel length + gaps specified on layout sheets.
- From side wall at centerline of stile, measure dimensions for floor or ceiling anchors according to layout sheet. Refer to drilling table below for center-to-center distances between anchors. Centerline of floor anchor from edge of stile is 5/8" (16mm); dimension on 3" (76mm) stile is 1 1/2" (38mm).

Drilling Table For Drilling Floor Or Ceiling Anchors

Stile Size (width)	Number of Holes	X Dimension	Y Dimension
3" (76mm)	1	1 1/2" (38mm)	—
4" (102mm)	2	5/8" (16mm)	2 3/4" (70mm)
5" (127mm)	2	5/8" (16mm)	3 3/4" (95mm)
6" (152mm)	2	5/8" (16mm)	4 3/4" (121mm)
7" (178mm)	2	5/8" (16mm)	5 3/4" (146mm)
8" (203mm)	2	5/8" (16mm)	6 3/4" (171mm)
10" (254mm)	2	5/8" (16mm)	8 3/4" (222mm)
12" (305mm)	2	5/8" (16mm)	10 3/4" (273mm)
16" (406mm)	2	5/8" (16mm)	14 3/4" (375mm)
18" (457mm)	2	5/8" (16mm)	16 3/4" (425mm)
20" (508mm)	2	5/8" (16mm)	18 3/4" (476mm)
24" (610mm)	2	5/8" (16mm)	22 3/4" (578mm)

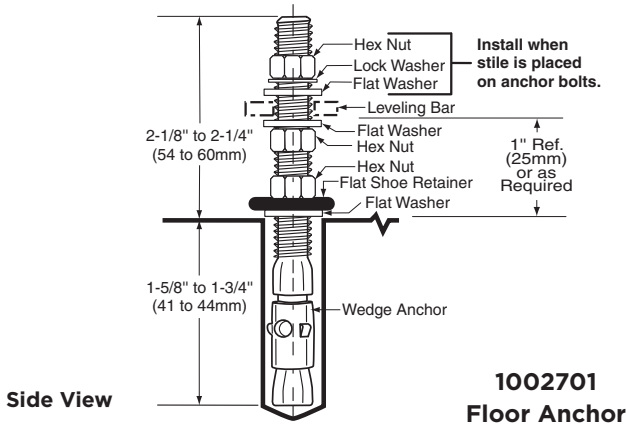
Fig. 1e: Detail of Typical Stile



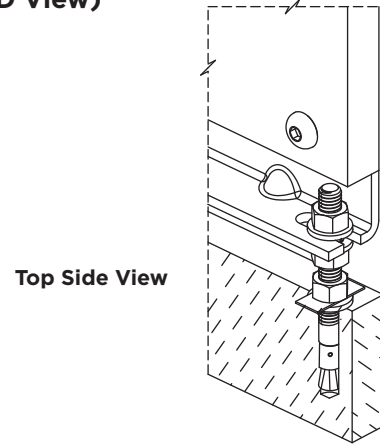
Note: 16", 18", 20", 24" (406, 457, 508, 610mm) stiles have two leveling bars. Use the two outside slots for the two anchors.

STEP 2 INSTALL FLOOR ANCHORS

Fig. 2a: Finished Detail of Floor Anchor



**Fig. 2b: Floor Anchor Attached to Stile.
(3D View)**



Parts Needed:

- 1002701 Floor Anchor Packet
(includes: 3 Hex Nuts, 3 Flat Washers, Wedge Anchor, Lock Washer, Flat Shoe Retainer)

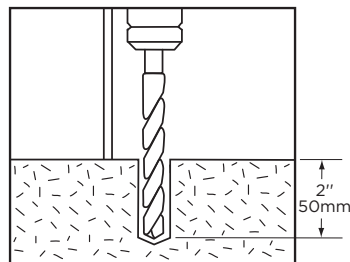
Tools Needed:

- Hammer
- Drill
- 3/8" (9.5mm) Concrete/Masonry Bit
- Wrench (adjustable or with 9/16" open end)

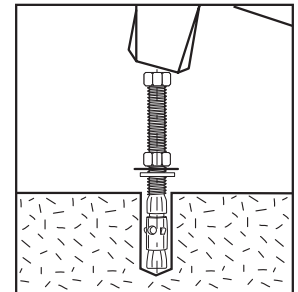
Hints/Notes:

- 3/8" x 2" (M9.5 x 50mm) hole needed to install 1002701 Floor Anchor. Use concrete/masonry drill bit.
- Floor Anchors for wood floors are available upon request.

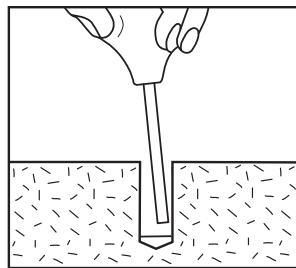
- A. Drill a 3/8" (9.5mm) hole to 2" (50mm) minimum depth.



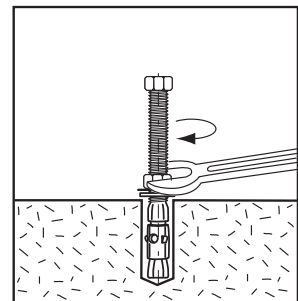
- D. Insert Anchor into hole with threaded end up. Use hammer to drive the Anchor into hole until Flat Washer is flush with concrete surface (depth set in STEP C).



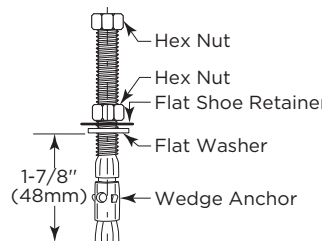
- B. Remove all loose material/debris from hole.



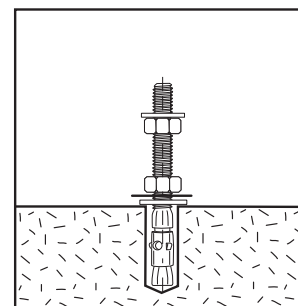
- E. Use Wrench to tighten Hex Nut until anchor is firmly set (2-4 full turns past finger tight position). Anchor bolt will move up approx. 1/16" (1.6mm) for every full turn of Hex Nut.



- C. Add Flat Washer, Flat Shoe Retainer, Hex Nut to Wedge Anchor so that Flat Washer is 1-7/8" (48mm) from the bottom of the anchor to ensure proper installation depth. Thread 2nd Hex Nut loosely to top of Anchor to prevent stripping or damaging threads during installation.



- F. Spin down top Hex Nut. Add Flat Washer.



Note: Do NOT add 3rd Hex Nut, Lock Washer, and 3rd Flat Washer until stiles are attached to Floor Anchor.

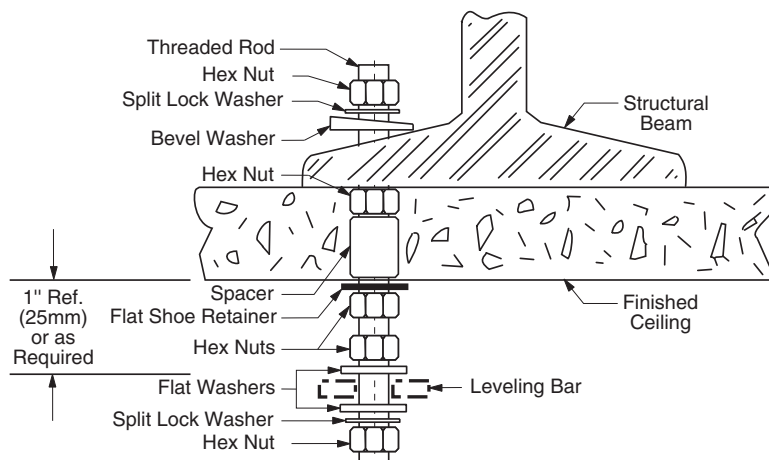
STEP 2 INSTALL CEILING ANCHORS

CEILING ANCHORS.

Note: Ceiling anchors are to be installed before finished ceiling is applied. All structural framing is to be furnished by others. For Bobrick recommendations, refer to Bobrick Form No. TB-32.

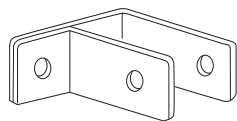
- A. Drill 7/16" (11mm) diameter hole through structural beam. Insert threaded rod through hole in beam. Rod is furnished standard 6" (150mm) length. Longer rods should be purchased locally if required.
- B. Drop a bevel washer and lock washer over rod. Screw on one hex nut.
- C. Install second hex nut against bottom of beam and tighten.
- D. Install spacer, shoe retainer, and a third hex nut. Make sure shoe retainer is in proper position to accept shoe (see **Fig. 2b** or **2c** for proper shoe retainer position).
- E. Install remaining flat washers (2), lock washer (1), and hex nuts (2), as shown in **Fig. 2c**.
- F. Repeat process for each ceiling anchor.

Fig. 2c: Detail of Ceiling Anchor.



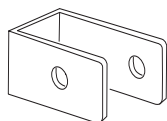
BRACKETS AND SCREWS

F-bracket



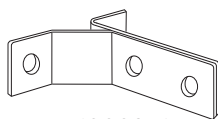
#1000975
Internal Panel to Wall

U-bracket



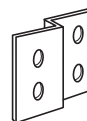
#1000972
Internal Panel to Stile

Y-bracket



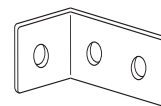
#1000974
External Panel or Stile
to Wall or Panel

Alcove bracket



#1000282
Panel-in-line with Stile

L-bracket



#1000351
External Panel to Stile



#1002499
#12 x 7/16" Pin-in-Head Torx Screw
(M5.5 x 11mm) Panel/Stile Screw Channel to Stile Screw



#1002495
#12 x 2" Pin-in-Head Torx Screw
(M5.5 x 50mm) Wall Screw

Pilot Hole Sizes—

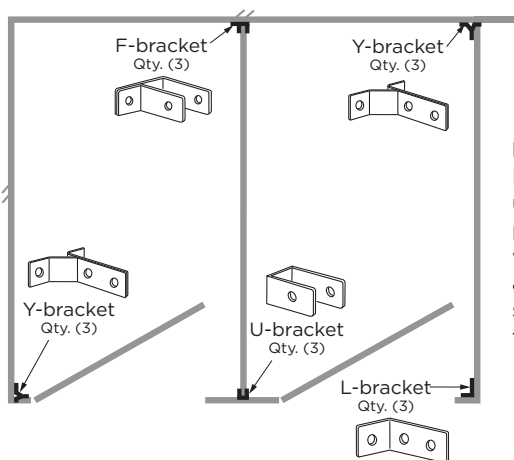
- 3/16" x 7/16" (4.7 x 11mm)
- For attachment of brackets to panels and stiles.
- Do not drill through.
- #19 (.166) x 2" (50mm)
- For attachment of all wall brackets to stud backing.

Note: Adequate wall backing is required. High-quality drill bit is suggested for drilling into Compact Laminate material.

COMMERCIAL HARDWARE

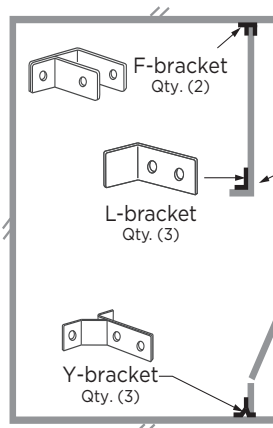
EXAMPLE BRACKET APPLICATIONS.

Front-Entry Corner Layout.



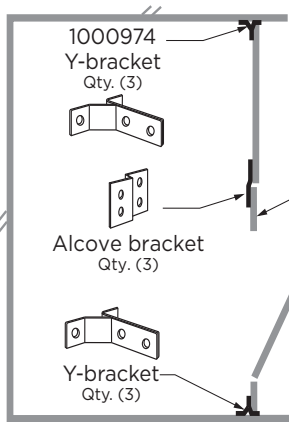
Note: U- and F-brackets are used on internal panels only, where there is an adjoining stall to conceal the hardware.

Floor-Anchored or Ceiling-Hung Alcove Closed Layout.



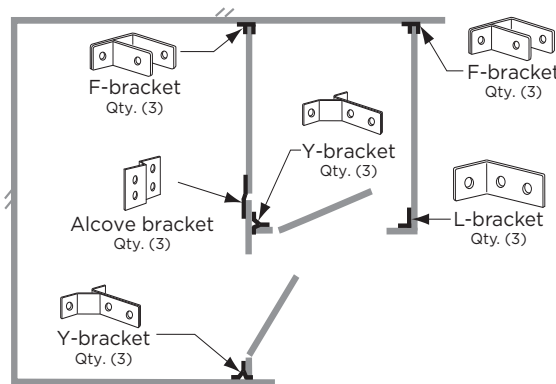
Note: The stile is perpendicular to panel. No hardware is exposed on the outside of stall.

Overhead-Braced Alcove Closed Layout.



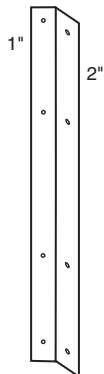
Note: The stile is in-line with panel. No hardware is exposed on the outside of stall.

Overhead-Braced Alcove Open Layout and Adjoining Front-Entry Stall.



BRACKETS AND SCREWS

Angle Bracket



#1002387
2 each for:
Stile-to-Wall
Panel-to-Wall

Z-Bracket



#2080-76
Panel In-Line with Stile

U-Channel Bracket



#1002388
Panel-to-Stile
Panel-to-Wall (optional)



#1002499
#12 x 7/16" Pin-in-Head Torx Screw
(M5.5 x 11mm) Panel/Stile Screw Channel to Stile Screw



#1002495
#12 x 2" Pin-in-Head Torx Screw
(M5.5 x 50mm) Wall Screw

Pilot Hole Sizes—

3/16" x 7/16" (4.7 x 11mm)

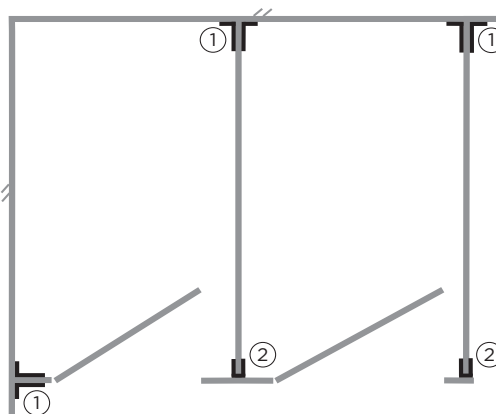
#19 (.166) x 2" (50mm)

Note: Adequate wall backing is required. High-quality drill bit is suggested for drilling into Compact Laminate material.

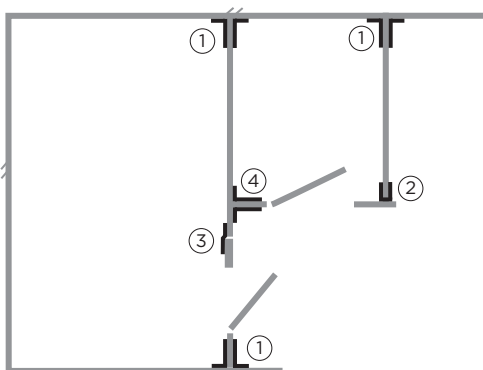
EXAMPLE BRACKET APPLICATIONS.

- ① 2 — 1002387 Angle Bracket
10 — 1002495 Wall Screw
10 — 1002499 Panel/Stile Screw
- ② 1 — 1002388 U-Channel Bracket
15 — 1002499 Panel Screw
- ③ 1 — 2080-76 Z-Bracket
10 — 1002499 Stile/Panel Screw
- ④ 2 — 1002387 Angle Bracket
20 — 1002499 Stile/Panel Screw

Front-Entry Corner Layout.



Alcove Closed Layout and Adjoining Front-Entry Stall.



STEP 3 INSTALL WALL BRACKETS

- Measure and mark the locations of centerlines for all the stiles and panels on walls.
- Using the wall brackets as templates, measure and mark the location of all mounting holes plumb, according to the floor clearance dimension table and dimensions shown in illustrations **Fig. 3a**, **Fig. 3b**, and **Fig. 3c**.
- Use #19 (.166) drill bit for 2" (50mm) deep pilot holes into adequate wall backing.
- Secure wall brackets with #1002495 screws.

⊕ These mounting points require wall backing.

◇ Obtain dimension from Bobrick Layout Sheet

Caution: Panel centerline is not always on the stile centerline. Refer to Bobrick Layout Sheets for panel offsets.

Floor Clearance (FC)	A	B
4-1/2" (11cm) AFF	8" (20cm)	64" (163cm)
9" (23cm) AFF	12-1/2" (32cm)	76-1/2" (194cm)
12" (30cm) AFF	15-1/2" (39cm)	79-1/2" (202cm)

Fig. 3a: Front-Entry Corner

COMMERCIAL HARDWARE

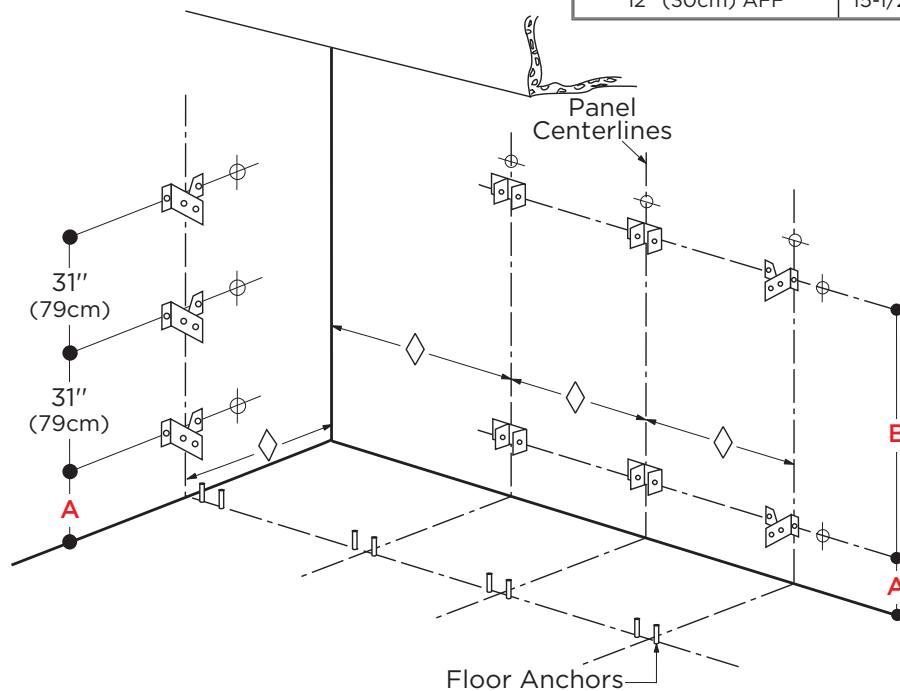
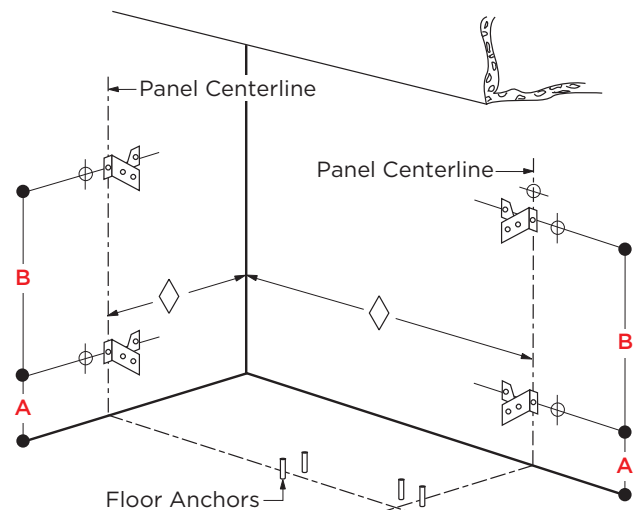
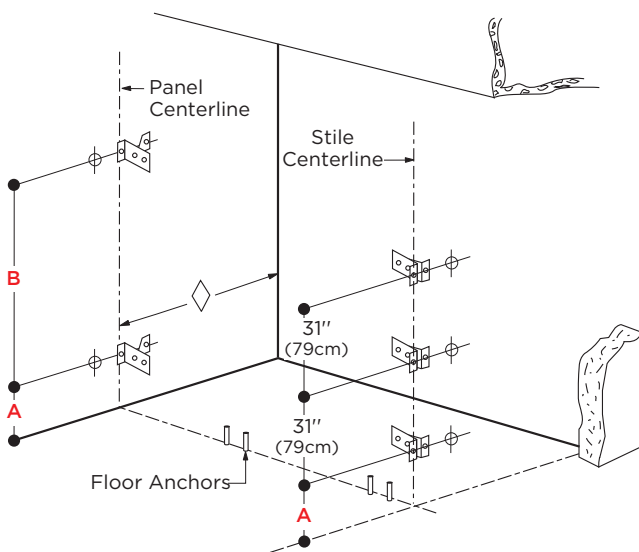


Fig. 3b: Overhead-Braced or Floor-to-Ceiling Anchored Alcove Closed Layout.

Fig. 3c: Floor-Anchored or Ceiling-Hung Alcove Open Layout.



STEP 3 INSTALL WALL BRACKETS

- Measure and mark the locations of centerlines for all the stiles and panels on walls. Identify the floor clearance shown on the Bobrick Layout Sheet for "C" dimension shown in the table below.
- Using the wall brackets as templates, place bracket "C" dimension above finished floor. Measure and mark the location of all mounting holes plumb, 3/4" (19mm) from panel center line; 7/8" (22mm) from stile centerline. (See **Fig. 3a** and **Fig. 3b**).

Note: Orient bracket so hole pattern is staggered.

- Use #19 (.166) drill bit for 2" (50mm) deep pilot holes into adequate wall backing.
- Secure wall brackets with #1002495 screws.

- ⊕ These mounting points require wall backing.
- ◇ Obtain dimension from Bobrick Layout Sheet

Caution: Panel centerline is not always on the stile centerline. Refer to Bobrick Layout Sheets for panel offsets.

Floor Clearance (FC)	C
4-1/2" (11cm) AFF	5-3/8" (14cm)
9" (23cm) AFF	9-7/8" (25cm)
12" (30cm) AFF	12-7/8" (33cm)

Fig. 3a: Front-Entry Corner Layout

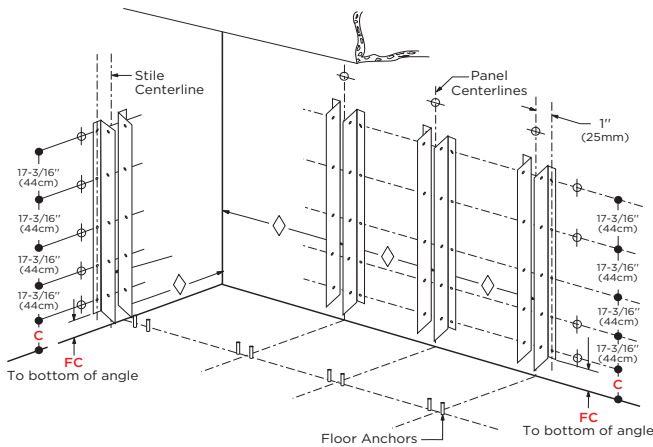
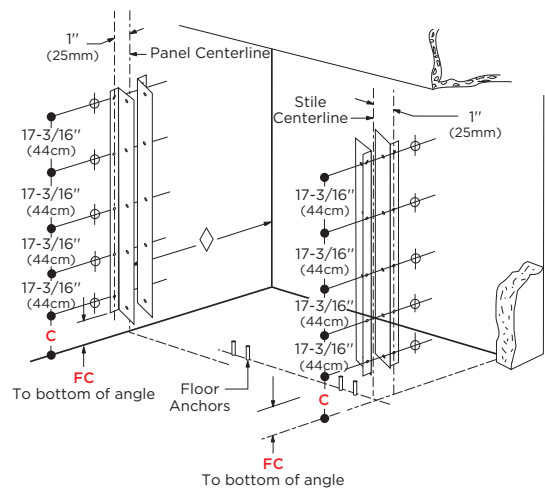


Fig. 3b: Overhead-Braced or Floor-to-Ceiling Anchored Alcove Closed Layout.



INSTITUTIONAL HARDWARE

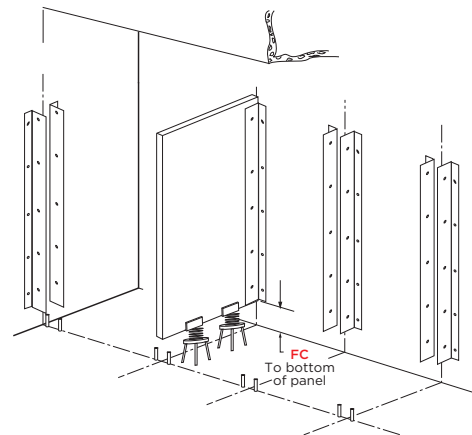
STEP 4 POSITION PANELS

- Set the adjustable supports in place and adjust the height to the panel floor clearance.
- Place panels on the supports and into their respective wall brackets. Do not secure panels to wall brackets at this time.

Note: If the panel exceeds 60" (1524mm) the panel will be two pieces and require an H-Channel to obtain the 71 3/4" (1822mm) height requirement.

Floor Clearance (FC)
4-1/2" (11cm) AFF
9" (23cm) AFF
12" (30cm) AFF

Fig. 4: Panel and Adjustable Supports.

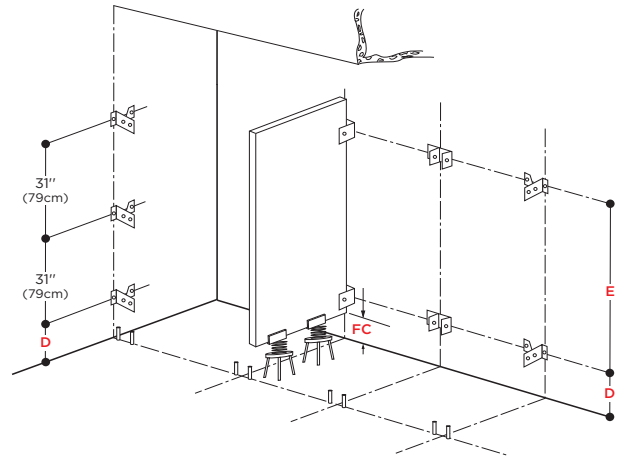


STEP 4 POSITION PANELS

- Set the adjustable supports in place and adjust the height to the panel floor clearance.
- Place panels on the supports and into their respective wall brackets. Do not secure panels to wall brackets at this time.

Fig. 4: Panel and Adjustable Supports.

Floor Clearance (FC)	D	E
4-1/2" (11cm) AFF	8" (20cm)	64" (163cm)
9" (23cm) AFF	12-1/2" (32cm)	76-1/2" (194cm)
12" (30cm) AFF	15-1/2" (39cm)	79-1/2" (202cm)

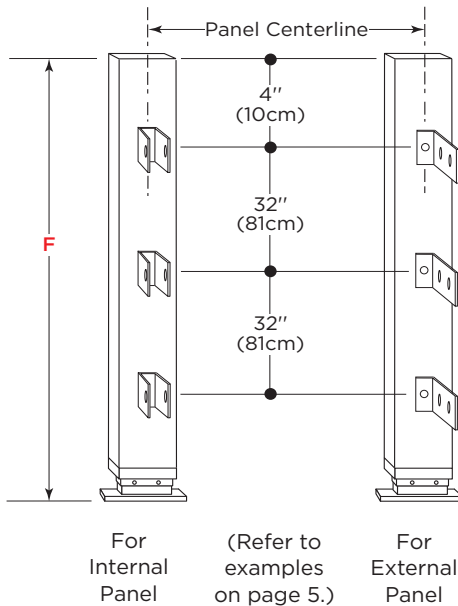


STEP 5 INSTALL STILE-TO-PANEL BRACKETS

COMMERCIAL HARDWARE

Fig. 5a: Floor-Anchored or Ceiling-Hung Stiles.

Fig. 5b: Overhead-Braced Stiles.

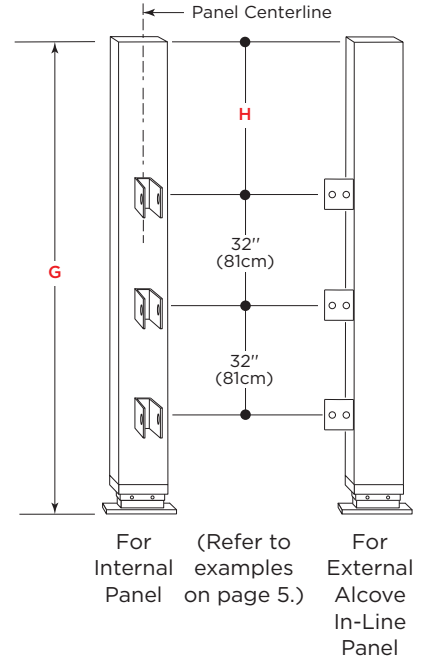


Caution: Panel centerline is not always on the stile centerline. Refer to Bobrick Layout Sheets for panel offsets.

- Measure and mark the centerlines for three (3) U- or L-brackets per stile.
- Using U- or L-bracket as a template, mark the location of all mounting holes, according to the floor clearance dimension table and dimensions shown in illustrations Fig. 5a and Fig. 5b.
- For U- or L-brackets attached to stiles, use a 3/16" high-quality drill bit (4.7mm) for 7/16" (11mm) deep pilot holes.

Caution: Do not drill through the stile

- Secure U- or L-brackets with #1002499 screws.



Floor Clearance (FC)	F	G	H
4-1/2" (11cm) AFF	75-1/4" (191cm)	83" (211cm)	12" (30cm)
9" (23cm) AFF	79-3/4" (203cm)	83" (211cm)	7-1/2" (19cm)
12" (30cm) AFF	82-3/4" (210cm)	84-3/4" (215cm)	4-1/2" (11cm)

STEP 5 INSTALL STILE-TO-PANEL BRACKETS

Caution: Panel centerline is not always on the stile centerline. Refer to Bobrick Layout Sheets for panel offsets.

- Measure and mark the centerlines for continuous U-channel bracket per stile. Using U-channel bracket as a template, mark the location of all mounting holes, according to the floor clearance dimension table and dimensions shown in illustrations **Fig. 5a** and **Fig. 5b**.
- For U-channel brackets attached to stiles, use a high-quality drill bit for 3/16" x 7/16" deep (4.7 x 11mm) pilot holes. Secure U-channel bracket to stile with #1002499 screws.
- For z-bracket, mark the location of all mounting holes 5/8" (16mm) from edge of stile following locations shown in diagram. Fig. 5a and the floor clearance dimension table.
- Use a 3/16" x 7/16" deep (4.7 x 11mm) pilot hole in stile and panel. Secure strip bracket to panel and stile with #1002499 screws. **Do not drill through.**

⊕ **These mounting points require adequate backing.**

Fig. 5a: Overhead-Braced Stiles.

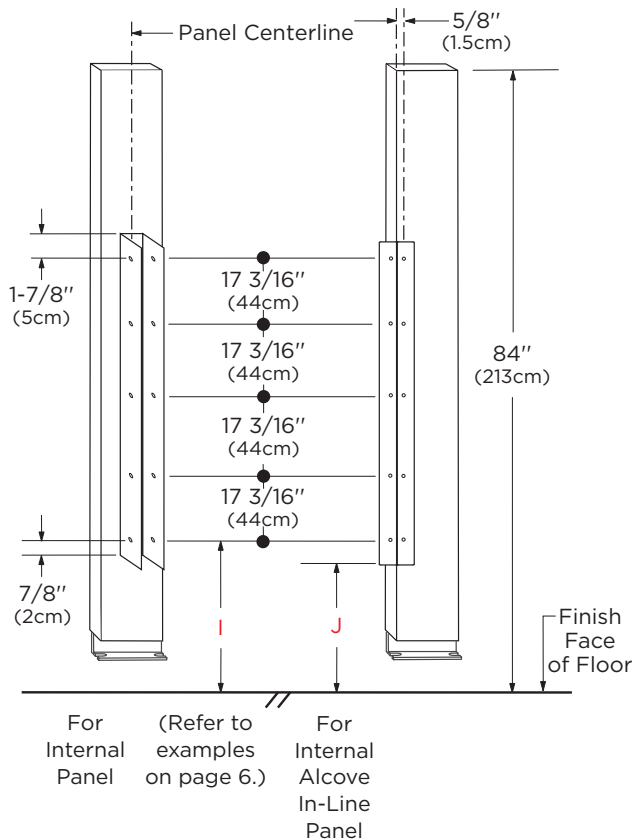
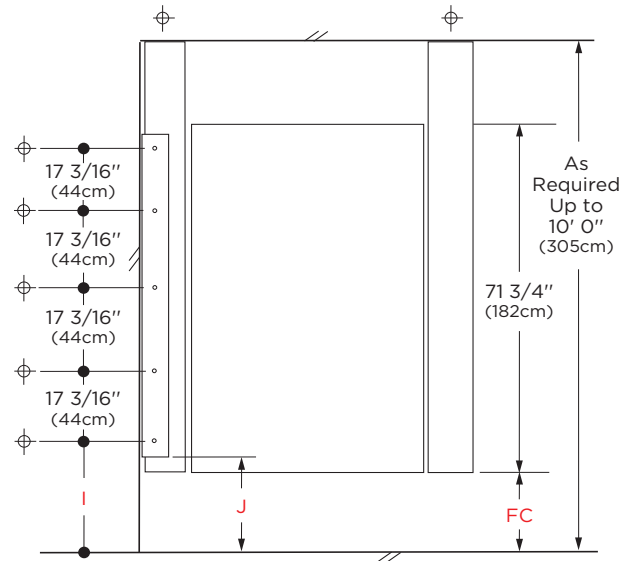


Fig. 5b: Ceiling Anchored.



Floor Clearance (FC)	I	J
4-1/2" (11cm) AFF	5-1/2" (14cm)	4-5/8" (11cm)
9" (23cm) AFF	10" (25cm)	9-1/8" (23cm)
12" (30cm) AFF	13" (33cm)	12-1/8" (31cm)

INSTITUTIONAL HARDWARE

STEP 6 INSTALL STILES AND SET DOOR OPENINGS

- Place the stiles onto the threaded rods of anchors. Add a flat washer, lock washer, and a third hex nut to each threaded rod of floor anchors (these should already be in place on ceiling anchors—refer back to **Fig. 2a**). Do not tighten hex nuts at this time.
- Insure edge of panel is touching screw heads in brackets on stiles. Using brackets as templates, drill $3/16" \times 7/16"$ ($4.7 \times 11\text{mm}$) pilot holes in panel.
- Fasten brackets to panels with #1002499 screws.
- Use level to plumb stiles. Place shims between panels and wall.
- Set door openings to be square, plumb and true per Bobrick layout sheet.
- Tighten hex nuts on stile anchoring system.
- Secure panels to wall brackets using #1002499 screws.

Fig. 6a: Overhead Braced Installation.

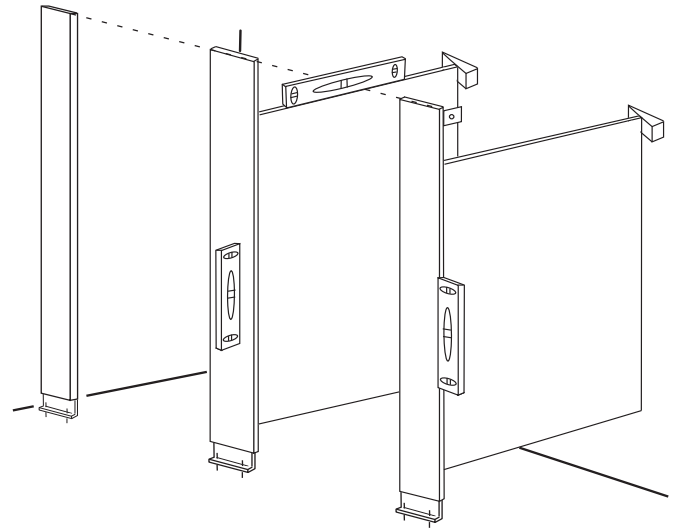


Fig. 6b: Floor-Anchored Installation.

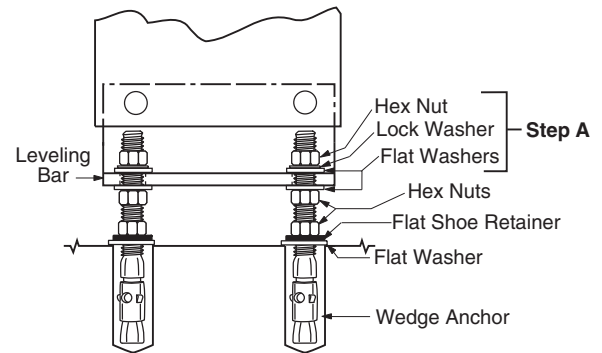
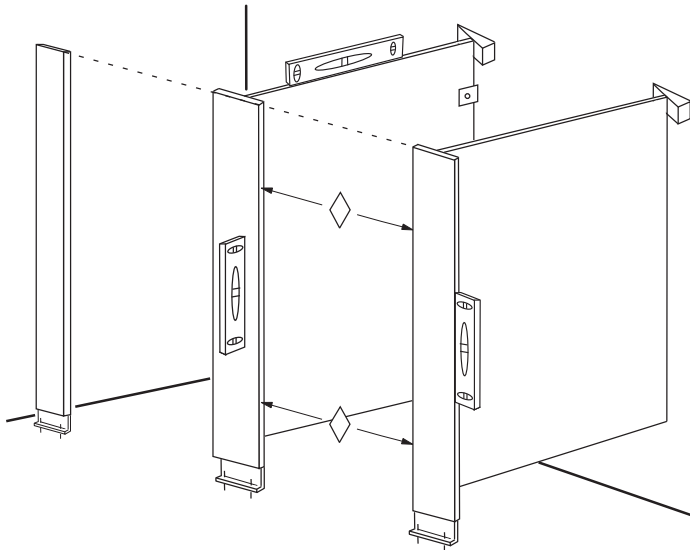
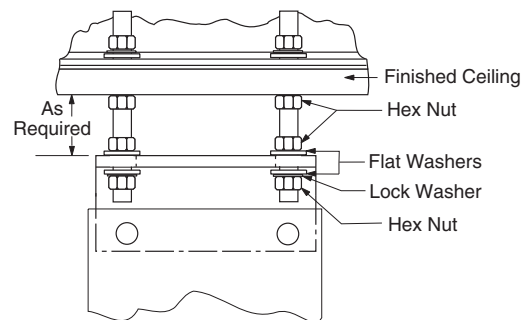
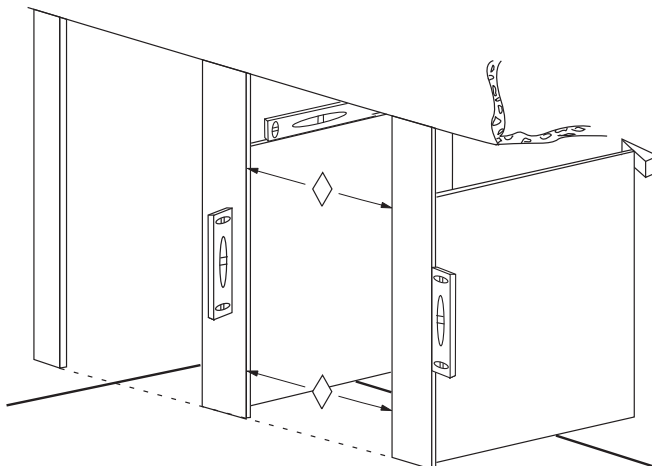


Fig. 6c: Ceiling-Hung Installation.

◇ Obtain dimension from Bobrick Layout Sheet



STEP 7 INSTALL HEADRAIL (IF APPLICABLE)

Note: Bobrick provides headrail in 84" #1002385 (2134mm) long sections. Headrail seams must be located over stiles.

- Measure wall-to-wall dimension less 1/4" (6mm). If it is a corner application, measure from wall to outside edge of stile less 1/8" (3mm).
- Place headrail over stile.
- For corner and alcove layouts, cut return headrail. Measure from the inside edge of front headrail to the back wall (See **Fig. 7a** and **7b**).
- Using the headrail bracket as a template, mark the location for mounting holes in walls and headrails.
- Drill 3/16" x 3/4" (4.7 x 19mm) pilot holes into front headrail and stiles; then, at wall locations, drill #19 (.166) x 2" (50mm) pilot holes into adequate wall backing.
- Fasten headrail bracket to front headrail with #1002499 screws and to wall with #1002495 screws.
- Connect the return headrail to front headrail with headrail bracket and four (4) #1002499 screws.
- For corner layouts, install #1000978 end cap to finish the corner. Using the end cap as a template, mark

and drill pilot hole, then secure end cap with one (1) #1002499 screw.

- Fasten front headrail to stile by drilling pilot hole, then secure to stile with one (1) #1002499 screw.

Optional Curtain Track:

- Cut curtain track to fit between stiles and fit inside of headrail.
- In the middle of and at 2" (50mm) from each end of the curtain track drill #25 (3.8mm) dia. holes through the curtain track and the headrail.
- Install curtain carrier hooks into curtain track.
- Fasten curtain track to headrail using #1000937 screws.
- Install shower curtain.

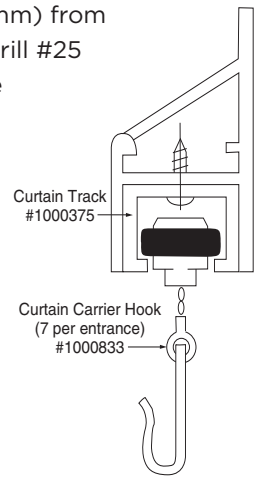


Fig. 7a: Headrail Installation Hardware. Corner Configuration

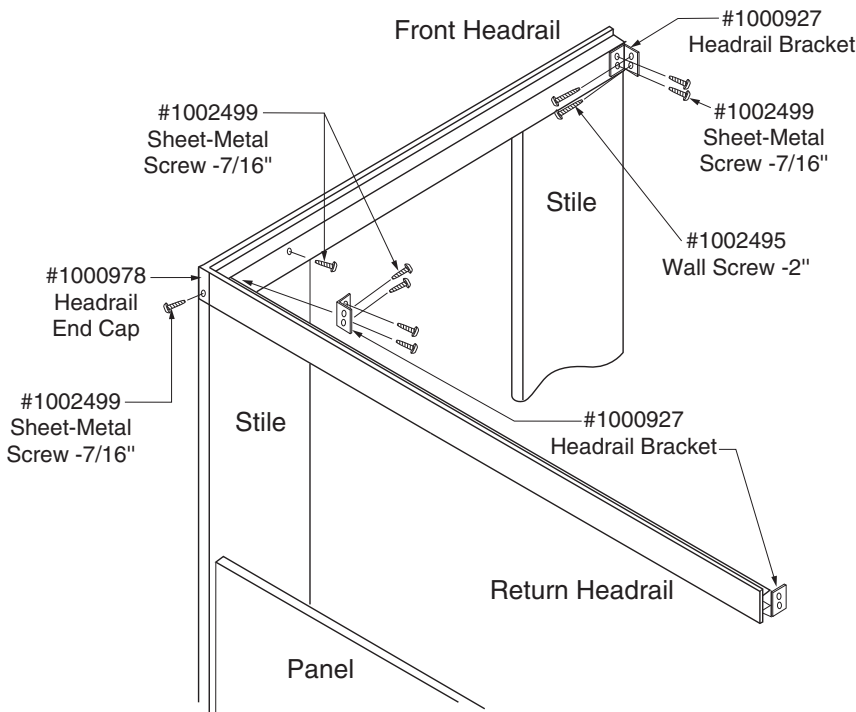


Fig. 7b: Alcove Configuration.

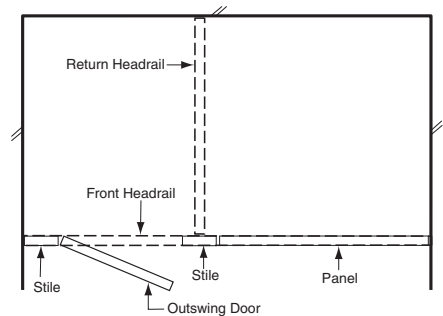
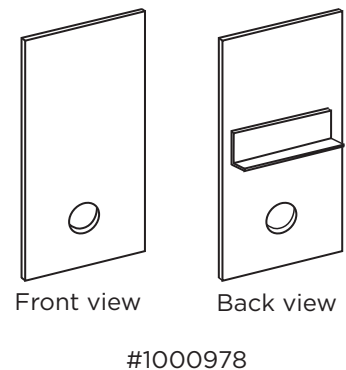
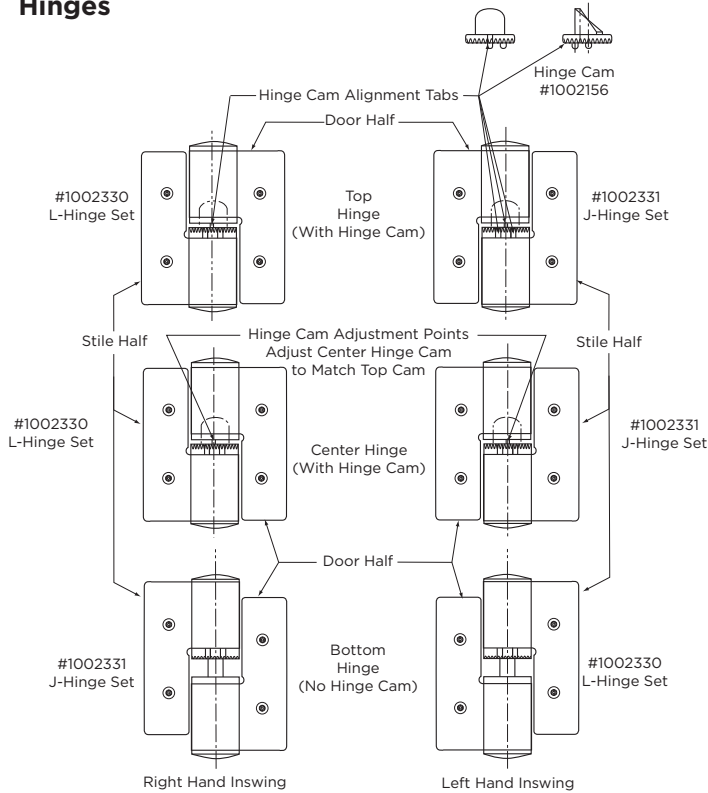


Fig. 7c: Detail of End Cap.



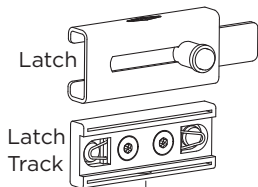
STEP 8 INSTALL INSWING DOORS

Hinges



#1002491
1/4-20 x 1/2" (M6-1 x 13mm)
Pin-in-Head Torx Screw

Latch



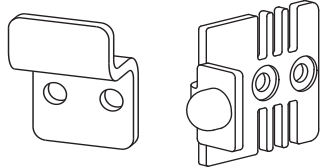
Setscrew

#1040-42
Latch
Packet



#1000077
1/4-20 x 1" (M6-1 x 25mm)
Flat-Head Latch Screw

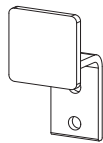
Keepers



#1040-35
Inswing
Keeper

#1040-39
Perpendicular
Keeper

Clothes Hook



#1000869
Hook



#1000900 Packet
(5/64" Allen Wrench for
Setscrew to Latch Track)



#1002499
#12 x 7/16" Pin-in-Head Torx Screw
(M5.5 x 11mm)

DOOR HARDWARE INSTALLATION.

Hinge.

- Using hinge diagram at left, identify the (2) upper and (1) lower hinge set for right hand or left hand installation. Locate cam for upper hinges, #1002156.
- Separate hinge sets and fasten the (3) halves that have plastic bushings with "teeth" and cam alignment tabs onto stile using driver and #1002491 (1/4-20 x 1/2") screws. Refer to diagram to ensure "J" and "L" halves are located properly.
- Fasten (2) upper hinge halves to door.
- Insert (1) hinge pin and (1) -1002156 plastic cam on each of the (2) upper stile hinge halves.
- Lift door and position onto (2) upper stile hinge halves. Door should be hanging securely on upper (2) hinges.
- Insert remaining hinge pin in lower door and mount hinge half to door.
- When the cam has been set at the desired free resting position, "either closed or open" the top of the affixed components will be aligned.

Tip - Industry tolerance in the hardware will sometimes allow fine alignment adjustments to some partition components. These fine adjustments may be performed by loosening the hardware screws and adjusting the components the direction needed and retightening the screws.

To Increase or Decrease Opening of Door.

- Alignment tabs have been formed into the cam and plastic hinge bushing.
- Lift door to limit of upward travel (approximately 1/2" (13mm)). While door is lifted, raise cam above bottom bushing and rotate so alignment tabs meet. Ensure both upper hinges are set to same alignment tab.
- To set door in open position, rotate cams toward door opening direction.
- To set door in closed position, rotate cams toward door closing direction.
- Door may not function properly if cam and bushing tabs on both hinges are not aligned properly.

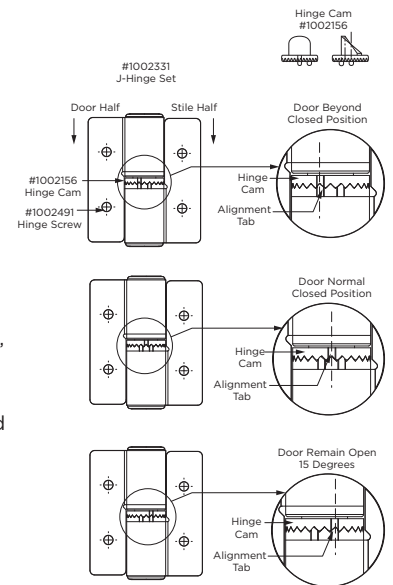
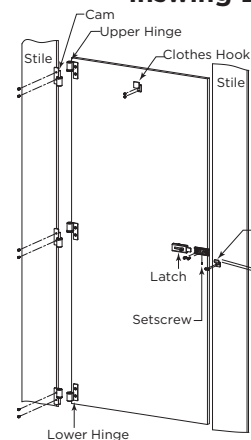


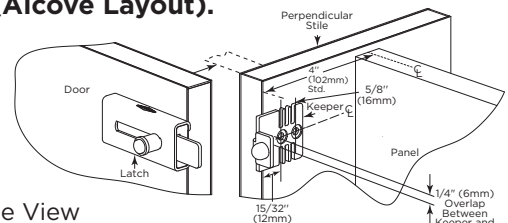
Fig. 8a: Right-Hand Inswing Door.



Latch, Keeper, and Clothes Hook.

- Attach the latch track to the door using T-25 torx bit for latch screws. **Note: Latch track projects past edge of door and acts as doorstop.**
- Slide the stainless steel latch into the grooves on latch track. Center the latch on track. Insert a setscrew into the threaded hole in the bottom of track and tighten until flush with the bottom of latch.
- Attach the keeper (see Fig. 8a and 8b) and clothes hook using driver and #1002499 screws.

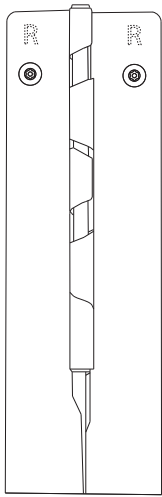
Fig. 8b: Inswing Door Keeper on Perpendicular Stile (Alcove Layout).



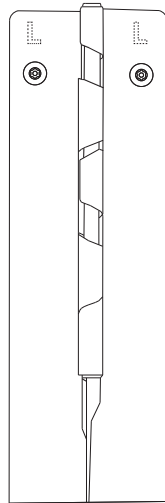
Inside View

STEP 8 INSTALL INSWING DOORS

Fig. 8: Orient Hinge



#1002925
Right-Hand Inswing or
Left-Hand Outswing

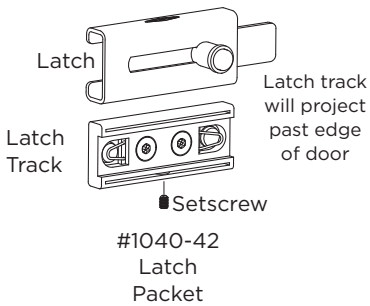


#1002924
Left-Hand Inswing or
Right-Hand Outswing

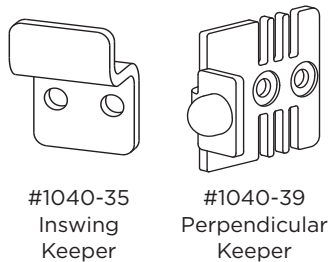


#1002491
1/4-20 x 1/2"
(M6-1 x 13mm)
Pin-In-Head Torx Screw

Latch



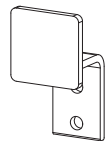
Keepers



Clothes Hook



#1000077
1/4-20 x 1" (M6-1 x 25mm)
Flat-Head Latch Screw



#1000869
Hook



#1000900 Packet
(5/64" Allen Wrench
for Setscrew to Latch Track)



#1002499
#12 x 7/16" Pin-In-
Head Torx Screw
(M5.5 x 11mm)

DOOR HARDWARE INSTALLATION.

Hinge.

- A. Orient hinge (see Fig. 8).
- B. Fasten hinge to the door (see Fig. 8a) using 7 — #1002491 pin-in-head torx screws.
- C. Supporting door, fasten hinge to the stile.

Latch, Keeper and Clothes Hook.

- A. Attach the latch track to the door using T-25 torx bit for latch screws. **Note: Latch track projects past edge of door.**
- B. Slide the stainless steel latch into the grooves on latch track. Center the latch on track. Insert a setscrew into the threaded hole in the bottom of track and tighten until flush with the bottom of latch.
- C. Attach the keeper and clothes hook using 2-#1002499 screws.

Fig. 8a: Right-Hand Inswing Door.

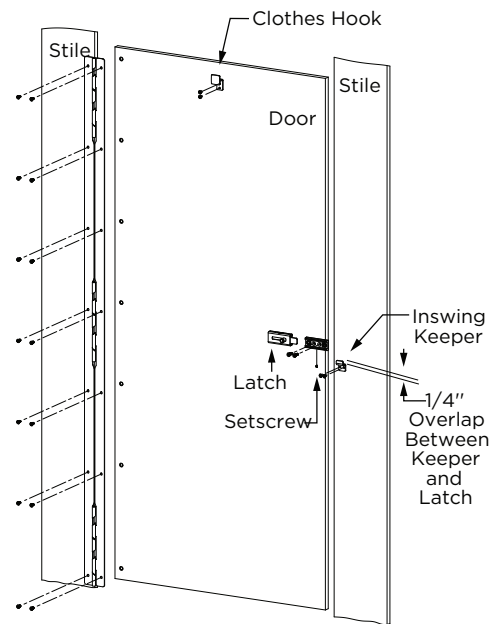
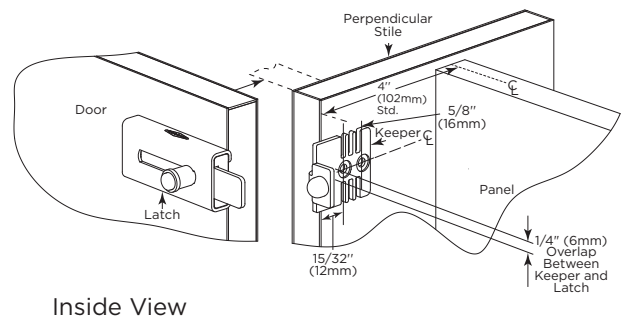


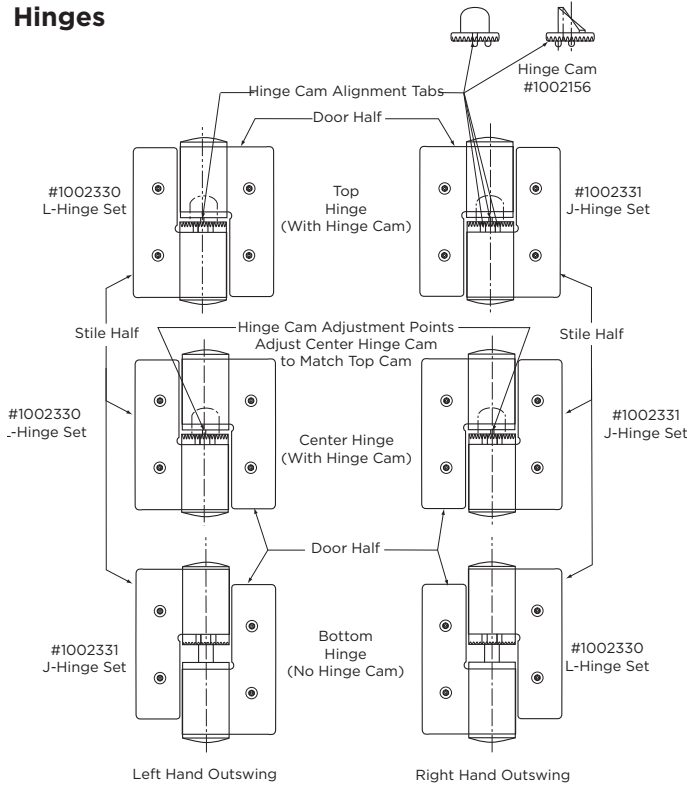
Fig. 8b: Inswing Door Keeper on Perpendicular Stile (Alcove Layout).



INSTITUTIONAL HARDWARE

STEP 9 INSTALL OUTSWING DOORS

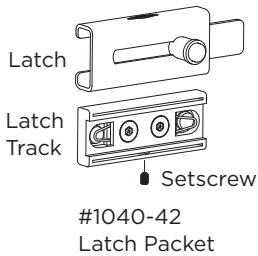
Hinges



#1002491
1/4-20 x 1/2" (M6-1 x 13mm)
Pin-Head Torx Screw

COMMERCIAL HARDWARE

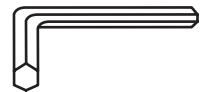
Latch



#1040-42
Latch Packet



#1000077
1/4-20 x 1" (25mm)
Flat-Head Latch Screw

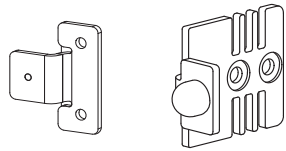


#1000900 Packet
(5/64" Allen Wrench to
Setscrew to Latch)



#1000418
Accessible Toilet
Compartment Label

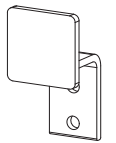
Keepers



#1040-36
Outswing
Keeper

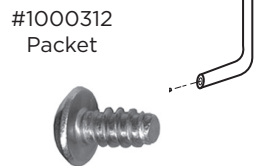
#1040-39
Perpendicular
Keeper

Clothes Hook



#1000869
Hook

Door Handle (2)



#1000312
Packet

#1002499
#12 x 7/16" Pin-Head Torx Screw
(M5.5 x 11mm)

DOOR HARDWARE INSTALLATION.

Hinge.

- Using hinge diagram at left, identify the (2) upper and (1) lower hinge set for right hand or left hand installation. Locate cam for upper hinges, #1002156.
- Separate hinge sets and fasten the (3) halves that have plastic bushings with "teeth" and cam alignment tabs onto stile using drivers and #1002491 (1/4-20 x 1/2") screws. Refer to diagram to ensure "J" and "L" halves are located properly.
- Fasten remaining (2) upper hinge halves to door.
- Insert (1) hinge pin and (1) -1002156 plastic cam on each of the (2) upper stile hinge halves.
- Lift door and position onto (2) upper stile hinge halves. Door should be hanging securely on upper (2) hinges.
- Insert remaining hinge pin in lower door hinge half and mount to door.
- When the cam has been set at the desired free resting position, "either closed or open" the top of the affixed components will be aligned.

Tip - Industry tolerance in the hardware will sometimes allow fine alignment adjustments to some partition components. These fine adjustments may be performed by loosening the hardware screws and adjusting the components the direction needed and retightening the screws.

To Increase or Decrease Opening of Door, see page 10.

Latch, Keeper, Clothes Hook, and Door Handle.

- Attach the latch track to the door using T-25 torx bit for latch screws. **Note: Latch track does not project past edge of door.**
- Slide the stainless steel latch into the grooves on latch track. Center the latch on track. Insert a setscrew into the threaded hole in the bottom of track and tighten until flush with the bottom of latch.
- Install keeper (**Fig. 9a**) and clothes hook using #1002499 screws. **Note:** On outswing door, position clothes hook per local accessible toilet compartment codes. For perpendicular alcove (**Fig. 9b**) set keeper in place ensuring latch slides properly, mark location and install using #1002499 screws.
- Using the door handle as a template on the outside of door, mark location for top hole in handle 27" (685mm) up from the bottom of door and 3" (75mm) from the edge of door. Mark location for bottom hole in handle.
- Drill two (2) 3/16" (5mm) diameter holes through door. Attach handle to outside of door using 8-32 x 1" (4.2 x 25mm) pin-head torx screws.

Fig. 9a: Right-Hand Outswing Door.

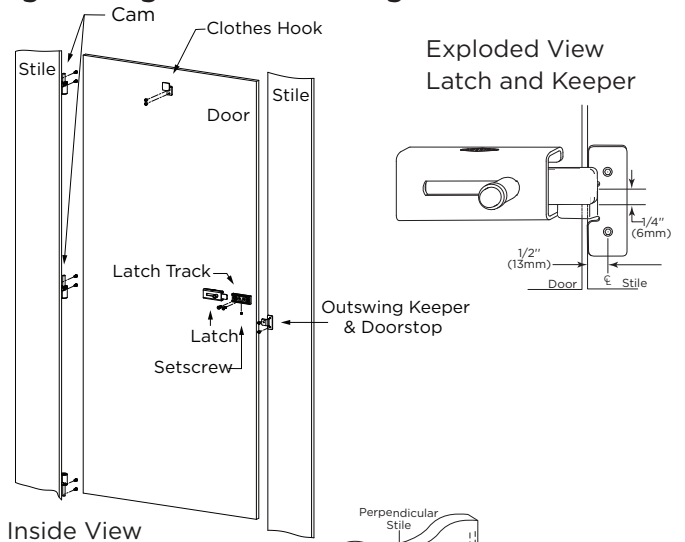
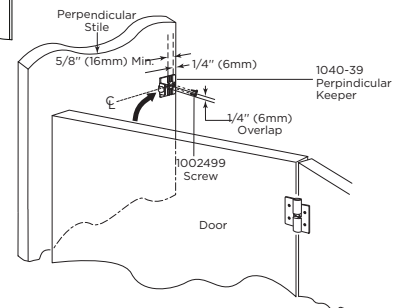


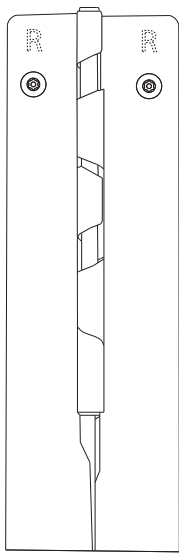
Fig. 9b: Outswing Door Keeper on Perpendicular Stile (Alcove Layout)

Outside View

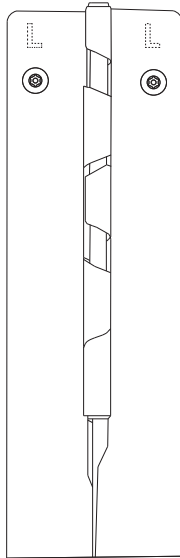


STEP 9 INSTALL OUTSWING DOORS

Fig. 9: Orient Hinge



#1002925
Right-Hand Inswing or
Left-Hand Outswing



#1002924
Left-Hand Inswing or
Right-Hand Outswing



1002491
1/4-20 x 1/2" (M6-1 x 13mm)
Pin-Head Torx Screw

DOOR HARDWARE INSTALLATION.

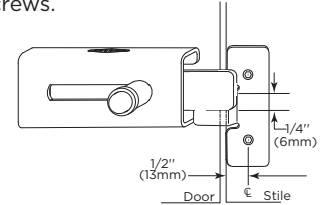
Hinge.

- Orient hinge (see Fig. 9).
- Fasten hinge to the door (see Fig. 9a) using 7 – #1002491 pin-head torx screws.
- Supporting door, fasten hinge to the stile.

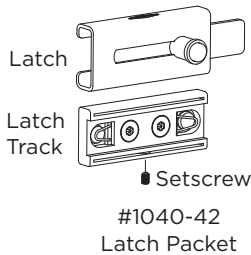
Latch, Keeper and Clothes Hook

- Attach the latch track to the door using T-25 torx bit for latch screws. **Note: Latch track does not project past edge of door.**
- Slide the stainless steel latch into the grooves on latch track. Center the latch on track. Insert a setscrew into the threaded hole in the bottom of track and tighten until flush with the bottom of latch.
- Attach the keeper and clothes hook using 2-#1002499 screws.
- Using the door handle as a template on the outside of door, mark location for top hole in handle 27" (685mm) up from the bottom of door and 3" (75mm) from the edge of door. Mark location for bottom hole in handle.
- Drill two (2) 3/16" (5mm) diameter holes through door. Attach handle to outside of door using 8-32 x 1-1/4" (4.2 x 32mm) pin-head torx screws.

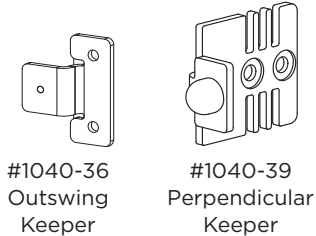
Outswing Keeper Detail



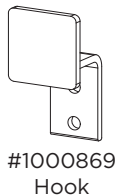
Latch



Keepers



Clothes Hook



Door Handle (2)



#1000418
Accessible Toilet
Compartment Label

Fig. 9a: Right-Hand Outswing Door.

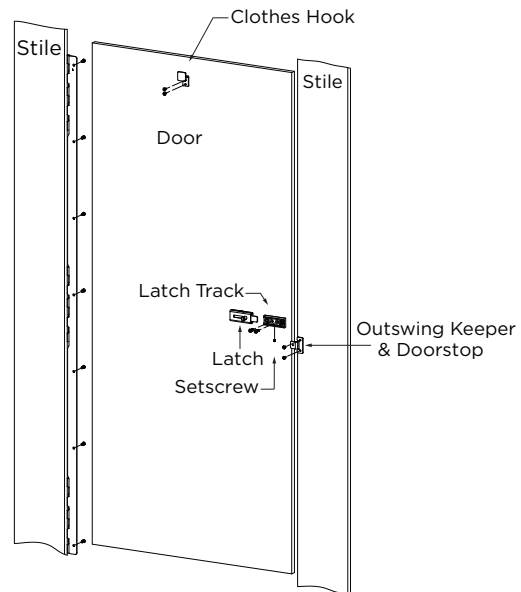
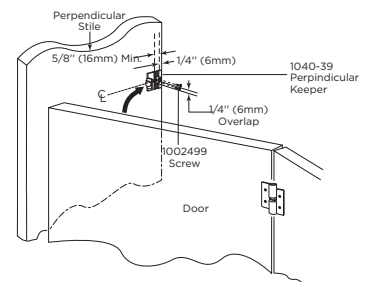


Fig. 9b: Outswing Door Keeper on Perpendicular Stile (Alcove Layout)

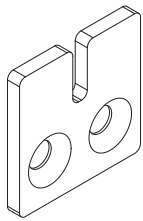


Inside View

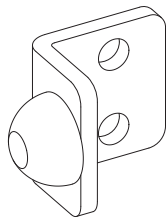
STEP 10 INSTALL WALL MOUNTED KEEPER (IF APPLICABLE)

- Set the door to the closed position and verify the door is aligned with the other components, then slide the latch towards the wall.
- Select the appropriate wall mounted keeper (see **Fig. 10a - 10b**). Note: Inswing doors require #1000192 Alcove Keeper on opposite side of door to act as a door stop (see **Fig. 10a**).
- Position keeper on the wall and mark the mounting hole locations. Refer to diagram **Fig. 10a** for Inswing door or **Fig. 10b** for Outswing door.
- Drill pilot holes on marked locations using #19 x 2" (.166x50mm) drill bit.
- Attach the keeper to wall using #1002495 Pin-Head Torx Screw.

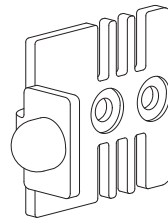
Pilot Hole Sizes: #19 x 2" (.166x50mm)



#1040-56
Wall Mounted Keeper
(Inswing Door)



#1000192
Alcove Keeper
(Use as Door Stop)



#1040-39
Perpendicular Keeper
(Outswing Door)



#1002495
#12 x 2" Pin-Head Torx Screw
(M5.5 x 50mm) Wall Screw

Fig. 10a: Inswing Door Wall Mount Keeper Installation Detail.

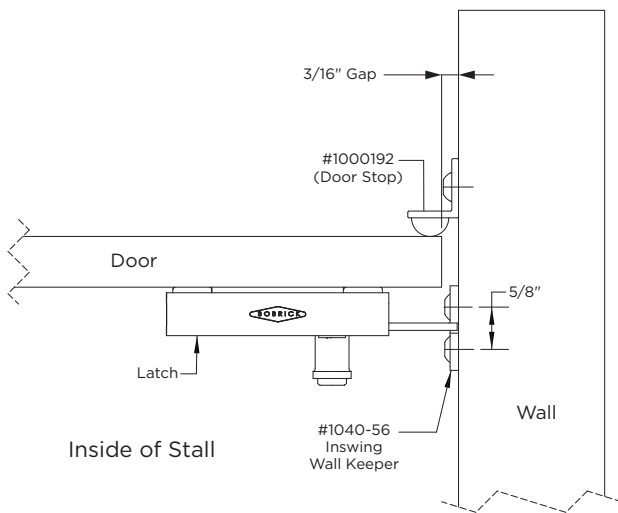
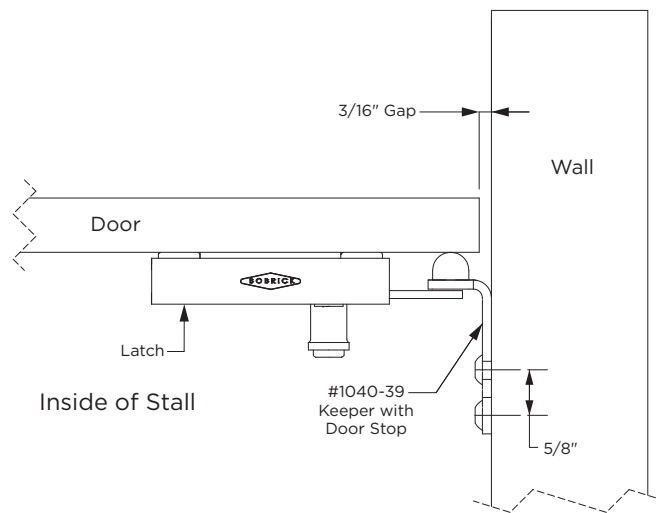
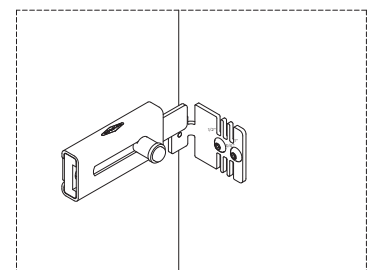
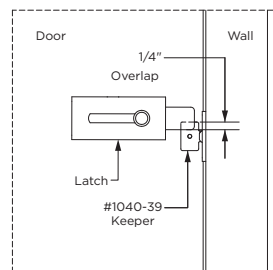
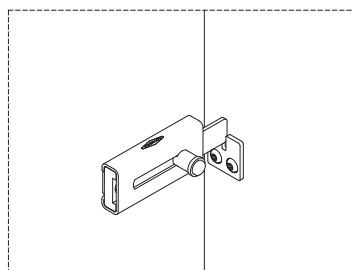
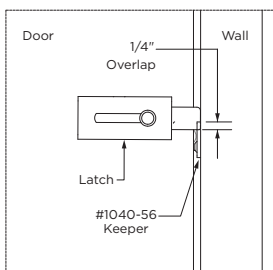


Fig. 10b: Outswing Door Wall Mount Keeper Installation Detail.



Note: Inswing doors require #1000192 Alcove Keeper on opposite side of door where the keeper is mounted to act as a door stop.

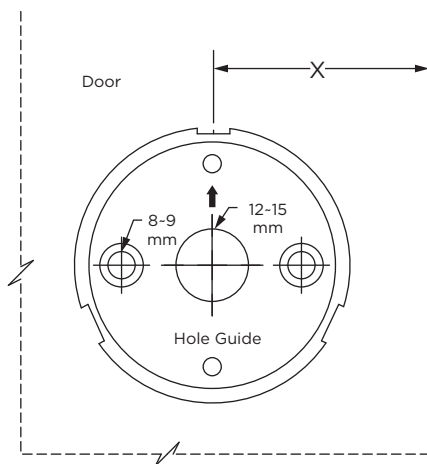


STEP 11 INSTALL OCCUPANCY INDICATOR LATCH AND KEEPER (IF APPLICABLE)

- A. Use template and table below to locate mounting plate holes.
- B. Drill through center hole using 1/2" (13mm) drill bit.
- C. Drill through two outer holes using 5/16" or 23/64" (8 or 9mm) drill bit.
- D. Attach latch to door per **Fig. 11b** and **Fig. 11c**. Use two 1 3/16" (30mm) screws for 3/4" (19mm) thick doors. Use shorter indicator pin for 3/4" (19mm) material.
- E. Assure red indicator is showing in indicator window, when the latch track is fully engaged.

Note: Emergency Access -The latch allows the door to be opened from the exterior of the toilet compartment by inserting a 3mm Allen key into the keyhole in the center of the cover plate and turning the key to release the latch.

Fig. 11a: Occupancy Indicator Latch #10002612



Keeper	X-Dimension
Inline I/S Keeper	1 11/16" (43mm)
Inline O/S Keeper	2 1/4" (57mm)
Alcove I/S Keeper	2 1/16" (52mm)
Alcove O/S Keeper	2 7/8" (73mm)

Fig. 11b: Occupancy Indicator Latch Packet

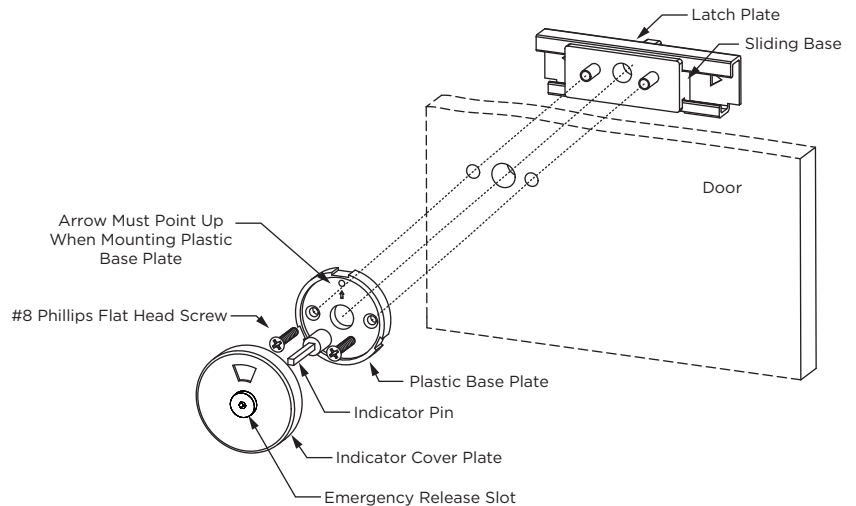
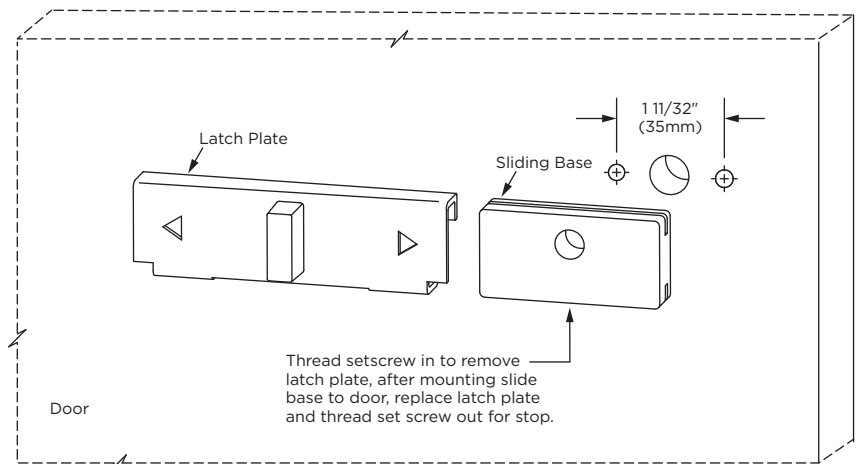


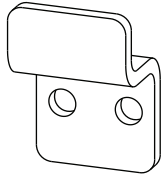
Fig. 11c: Latch Plate and Sliding Base



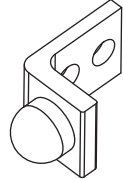
- F. Using the keeper as a template, attach keeper per **Fig. 11d, 11e, 11f, or 11g** on keeping stile (inside of stall).
- G. Mark and drill $7/16''$ (11mm) deep pilot hole using a $3/16''$ (4.7mm) drill bit. **Do not drill through.**
- H. Secure keeper to stile using #1002499 Pin-Head Torx Screw.

Note: All dimensions are based on a standard gap of $5/32''$ (4mm).

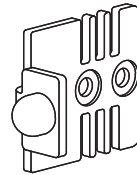
Pilot Hole Sizes: $3/16'' \times 7/16''$ (4.7 x 11mm) **Do not drill through.**



#1002612
Inswing Keeper (Included
in packet)



#1000192
Perpendicular Keeper

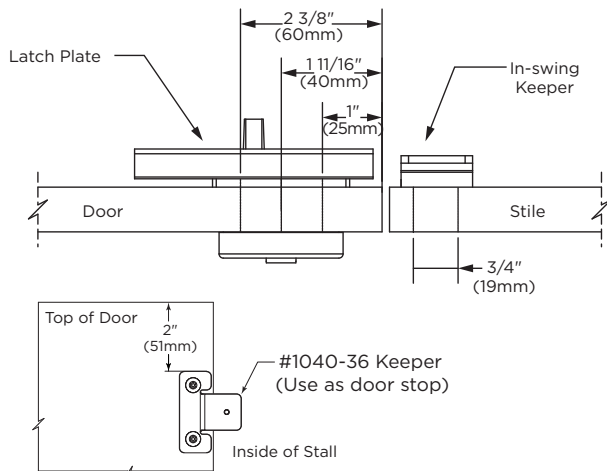


#1040-39
Perpendicular
Keeper



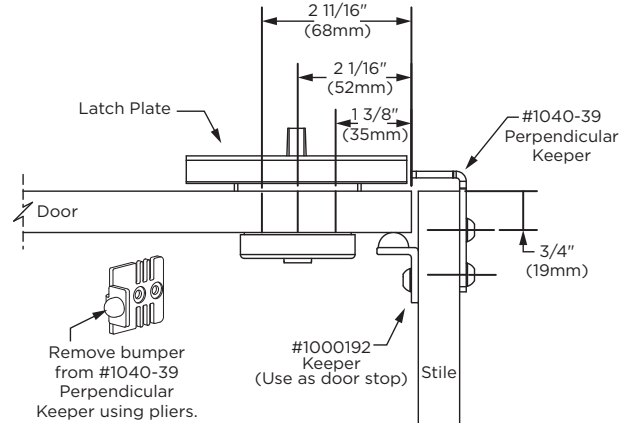
#1002499
#12 x $7/16''$ Pin-Head Torx
Screw

Fig. 11d: Inline Inswing



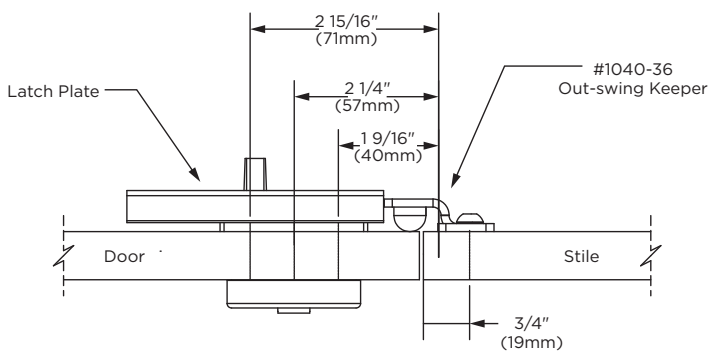
Use two #1002499 Pin-In-Head Torx screws to attach keeper.

Fig. 11e: Perpendicular/Alcove Inswing



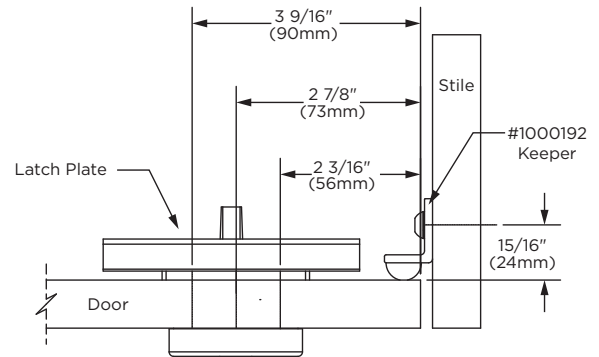
Use two #1002499 Pin-In-Head Torx screws to attach keeper.

Fig. 11f: Inline Outswing



Use two #1002499 Pin-In-Head Torx screws to attach keeper.

Fig. 11g: Perpendicular/Alcove Outswing



Use two #1002499 Pin-In-Head Torx screws to attach keeper.

STEP 12 INSTALL SHOES

- A. Locate proper width shoe for stile.
- B. Confirm shoe retainer (#1002186) is installed on anchor bolt next to flat washer closest to floor or ceiling. For anchor assembly detail, reference diagram on Page 4 of complete installation instruction sheet.
- C. Shoes accommodate 1" (25mm) thick or 3/4" (19mm) thick stiles. For 3/4" (19mm) thick stiles, orient shoe with 5/16" (8mm) wide flange return against faces and edge of stile.

D⁽¹⁾. Standard Stile Installation - See **Fig. 12a**

Open end of shoe and slide onto bottom of stile, trapping bottom flange under shoe retainer.

Close open end of shoe, overlapping so holes are aligned. Install flat head retaining screw through double thickness of material to close shoe.

D⁽²⁾. Stile-to-Wall Installation - See **Fig. 12b**

Stile-to-wall shoe retaining clip (#1002185) is supplied with every stile-to-wall. Locate shoe retaining clip.

Hold retaining clip by its extended leaf with pliers. Spread shoe open at least one inch and insert retaining clip into hole on inner leaf of shoe until it snaps into place.

Open end of shoe and slide onto bottom of stile, trapping bottom flange under shoe retainer. Shoe retaining clip will be positioned against wall.

Close edges of shoe together until remaining hole snaps into place on retaining clip.

- E. Remove protective covering and wipe shoe clean.

Fig. 12a: Standard Stile Installation.

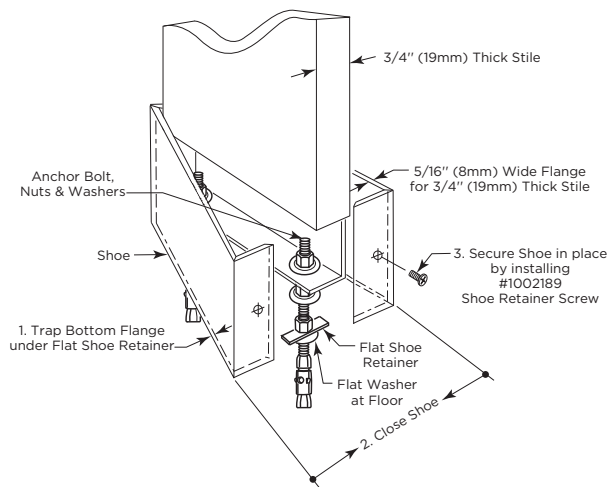
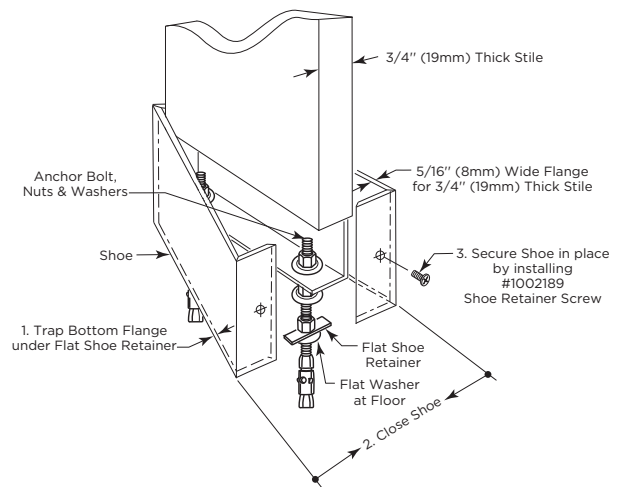


Fig. 12b: Stile-to-Wall Installation.



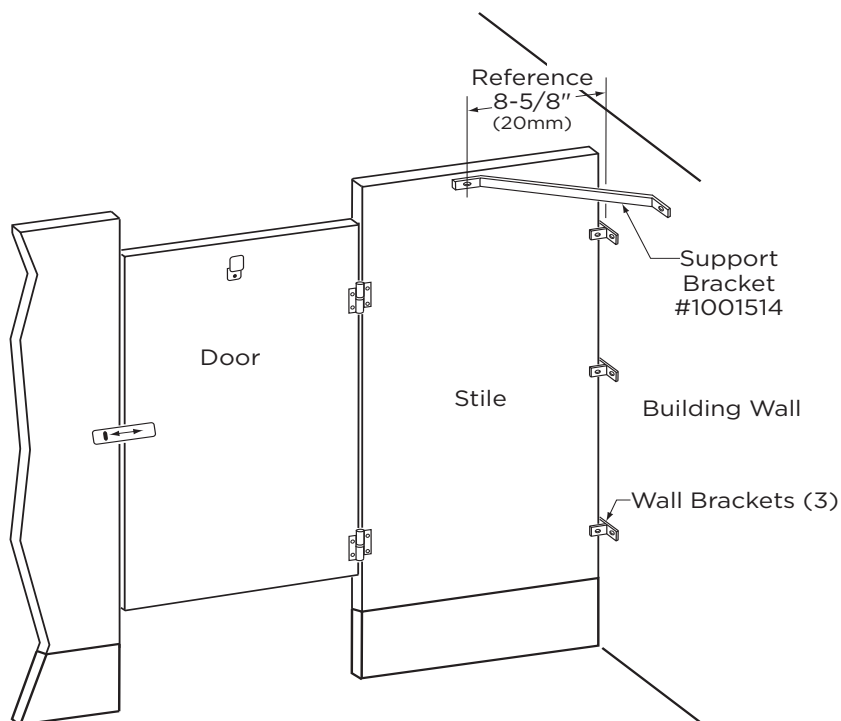
Replacement Shoe Guide

Stile Width	Bobrick Part Number	Stile Width	Bobrick Part Number
3" (76mm)	1002175	10" (254mm)	1002179
4" (102mm)	1002176	12" (305mm)	1002180
5" (127mm)	1002184	16" (406mm)	1002181
6" (152mm)	1002177	18" (457mm)	1002196
7" (178mm)	1002197	20" (508mm)	1002182
8" (203mm)	1002178	24" (610mm)	1002183

STEP 13 INSTALL SUPPORT BRACKET (IF APPLICABLE)

- A. 16" (406mm), 18" (457mm), 20" (508mm), 24" (610mm) stiles attached to side wall or end panel will be supplied with a support bracket (#1001514) for added stability.
- B. Install bracket at highest point on top of stile for floor anchored configurations. For ceiling-hung configuration, install bracket at lowest point on bottom of stile.
- C. Install bracket to stile #1002500 screw. Install bracket to wall using #1002495 screw to adequate backing.

Screw Into	Screw	Screw Size
Stile	#1002499	#12 x 3/4" (5.5 x 19mm)
Wall	#1002495	#12 x 2" (5.5 x 50mm)
Compact Laminate Panel	#1002499	#12 x 7/16" (5.5 x 11mm)
Washer	#1000814	NA



Note: For Ceiling-Hung system, support bracket at lowest point possible on stile.

STEP 14 FINISHING AND CLEANUP

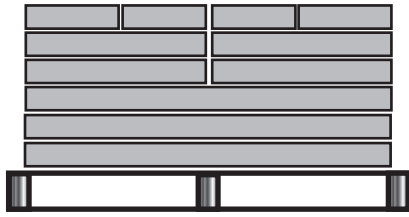
- A. Remove any exposed labels from the components of toilet compartments.
- B. Clean surfaces as needed. **Caution:** Do not use cleaners containing acid on Bobrick toilet compartments. For example, tile cleaners containing acid may attack the stainless steel hardware. For Bobrick recommendations, refer to Bobrick Form No. TB-21 and TB-60.

Important Toilet Partition Storage and Handling Information

Store in a clean, dry area. Do not store outside.
Move material to installation area 72 hours before installation.
Always store material flat with weight evenly supported.

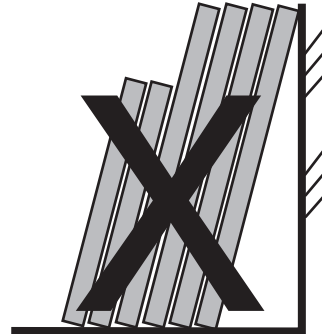
Toilet Partition Stacking

Do This



Stack Flat

Don't Do This



Stack Upright

Failure to follow these instructions may result in warped material which is not covered by Bobrick's warranty.



In the United States: BOBRICK WASHROOM EQUIPMENT, INC.

Los Angeles: 6901 Tujunga Ave., North Hollywood, CA 91605-6213; Tel: (818) 982-9600, FAX: (818) 503-1102
New York: 200 Commerce Drive, Clifton Park, NY 12065-1350; Tel: (518) 877-7444, FAX: (518) 877-5029,
or e-mail: customerservice@bobrick.com

In Canada: BOBRICK WASHROOM EQUIPMENT COMPANY

445 Rolark Drive, Scarborough, Ontario M1R 3B1 • Eastern Canada: Tel: (877) 423-6555 • FAX: (877) 423-8555
• Western Canada: Tel: (877) 423-6444 • FAX: (877) 423-8444

2080-69

