



# The Ultimate in Comfort, Convenience and Strength

Koala Kare KB3000-AHL — Adjustable Height Changing Station



**Koala Kare™**

A Division of Bobrick

# KB3000-AHL — Adjustable Height Changing Station

## Designing for Inclusion

For 35 years, Koala Kare Products has been the leader and innovator in commercial baby changing stations for public establishments. Now, we are introducing our first adjustable height changing station suitable for adolescents and adults, making it easier for all families to enjoy spending time together outside the home.

Too many families find themselves struggling to identify alternative solutions when an adequate changing station is unavailable. Without height-adjustable options, caregivers risk injuring themselves or their loved ones, which leads to many families choosing to stay home. This unit will be a lifeline to the outside world for those with disabilities and their caregivers, allowing all families to safely enjoy being social together.

- **Approximately 30% of the U.S. population has a disability**

- **65% of families with disabled children feel isolated frequently or all the time**

- **83% of disabled people have chosen to leave an inaccessible or unwelcoming business**



## Prioritizing Safety

The product is designed to meet rigorous standards that ensure the safety of the caregiver and end user. Its height can be adjusted with single-hand operation using the integrated recessed height controls on the wall panel or front guard of the unit. It can safely support up to 500 lbs on the changing surface and is equipped with an emergency stop, and the unit also has been designed to include a battery back-up in case of power outage to provide safe emergency lowering.

## Unmatched Durability

This product is designed specifically for public spaces, emphasized by its robust construction and enhanced durability. Its vandal-resistant changing surface is rated to IK10, and its integrated recessed height controls are also designed to withstand tampering. The unit also has no removable parts or exposed wires that could be damaged, and its rust-free frame makes it suitable for wet environments.

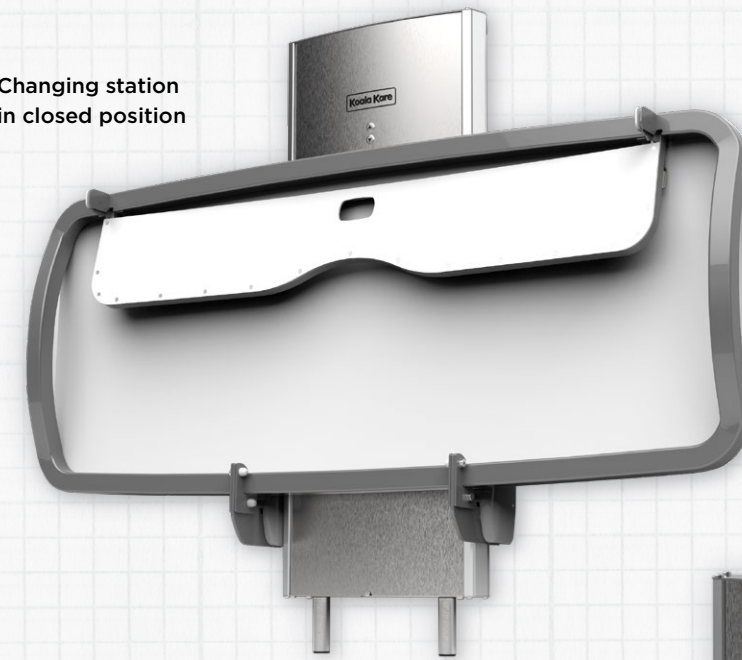
## Simplifying Hygiene

The adjustable height changing station features a smooth surface that can easily be wiped down and disinfected, and its crevice-free design helps prevent the buildup of contamination on the changing surface. It is also designed to withstand being hosed down with water.

## Thoughtful Design

Featuring contemporary aesthetics and intuitive design, the unit's height adjustability allows the end user to be safely transferred to the changing surface without requiring the caregiver to assist with lifting. The changing surface is engineered to emphasize flex in the material to provide more comfort. Additionally, an elegant, curved dip in the front guard allows for easier caregiver access, and the unit's integrated, recessed height controls are easy to locate and use.

Changing station in closed position



## Specifications

### Unit Dimensions:

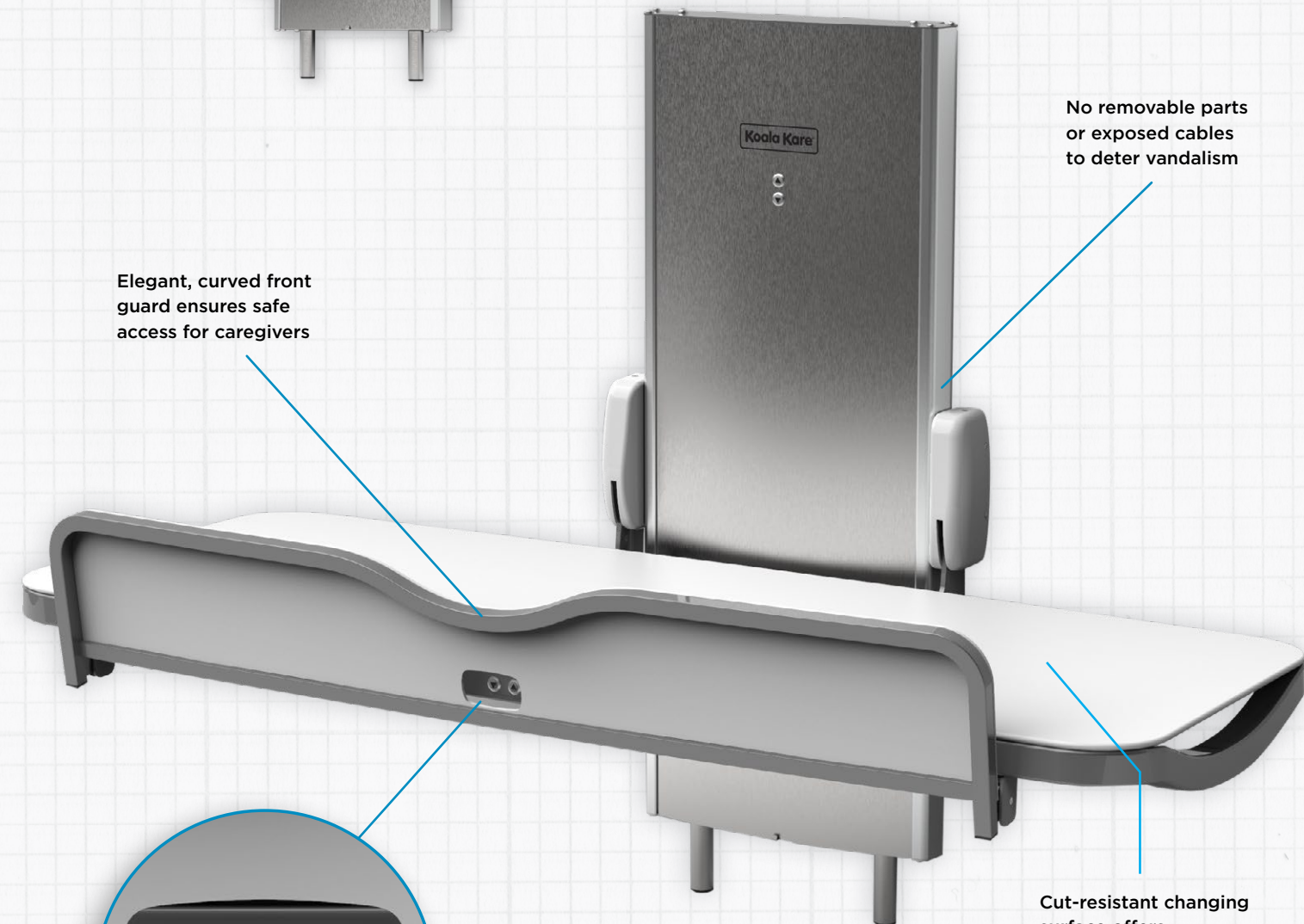
Changing Surface Size: 75.25" L x 31.5" W

Height Range: 12" – 41" (29" range)

Safe Working Load: 500 lbs

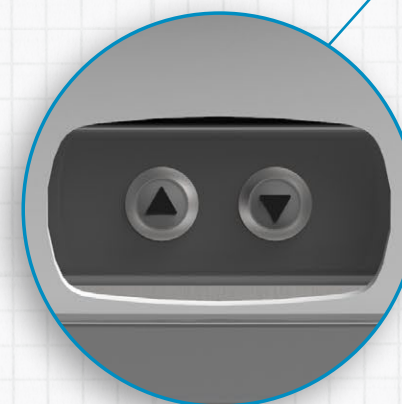
Depth (Closed): 9.3"

Elegant, curved front guard ensures safe access for caregivers



No removable parts or exposed cables to deter vandalism

Cut-resistant changing surface offers uncompromising comfort and durability



Integrated height controls on wall unit and stretcher resist tampering

**Koala Kare**

A Division of Bobrick

## Compliance

Koala Kare Products is committed to safety and compliance with relevant industry standards.

The KB3000-AHL unit has the following compliance/ratings:

- ISO 60601
- IK10: Resistant to high impact and sharp objects
- IPX4: Can withstand significant exposure to water without damage to its electrical components

---

## Warranty Information

Three-year warranty applies to normal use environments. Terms and conditions apply.

---

## Maintenance

Please keep your product in good working order by conducting regular maintenance checks and replacing parts as needed.

For more information, visit [www.koalabear.com/kb3000](http://www.koalabear.com/kb3000).



A Division of Bobrick

Koala Kare Products  
6982 S. Quentin Street  
Centennial, CO 80112

[Koalabear.com](http://Koalabear.com)

SXXX Apr 2021