

**ConturaSeries™** WASHROOM ACCESSORIES

soft, gentle arcs and radiuses

design-echoed flange and corner treatments



seamless monoform draws



flush-mounted tumbler locks

design integrated recessed and surface mountings

design patented



complementary axis and reveals



precise fit and finish

consistent unidirectional grain

# ConturaSeries™ WASHROOM ACCESSORIES.

Specify for Class A commercial, hotel, resort, museum, restaurant, retail and corporate headquarters properties.

## SPECIFICATIONS:

### DESIGN/CONSTRUCTION OVERVIEW.

Uniform arcs on all doors and panels. Consistent corner, edge and flange radiuses, echoed throughout the design-integrated Series. Exposed surfaces satin-finish. Type 304 stainless steel, all-welded construction.

### DOORS.

Drawn, one piece seamless construction. Secured with full-length stainless steel piano-hinges. Stainless steel cable door-swing limiters.

### LOCKS.

Tumbler locks are flush to surface of doors. Keyed like other Bobrick wash-room accessories.

### FLANGES.

Drawn, one-piece, seamless construction. Uniform radiuses on corners and return edges.

### CABINETS/COMBINATION UNITS/TOWEL DISPENSERS.

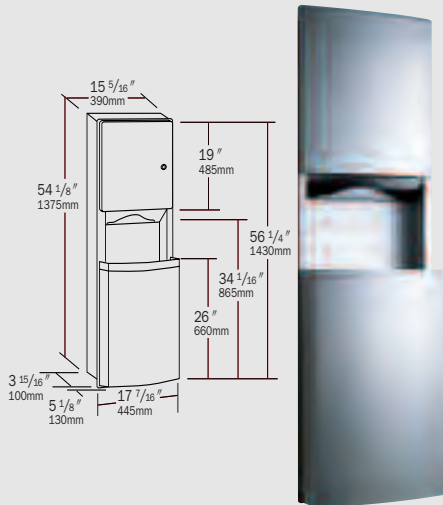
Rounded towel trays/hemmed openings.

### RECESSED WASTE RECEPTACLES.

One-piece, seamless, removable front panels. Top edge has design reveal and hem for refined appearance/safe handling. Equipped with interior clips for securing trash containers.

### LEGEND.

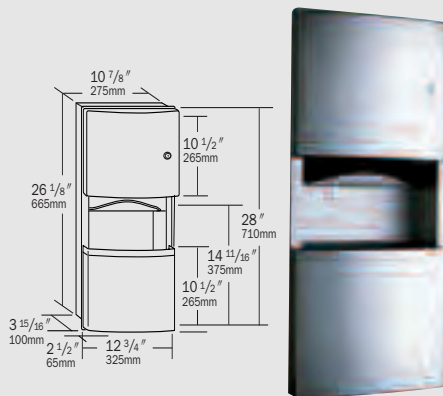
Disp: Dispenses  
Cap: Capacity  
WO: Wall Opening  
RPO: Rough Partition Opening  
TMH: Typical Mounting Height  
BFMH: Barrier-Free Mounting Height



### B-43944 RECESSED PAPER TOWEL DISPENSER AND WASTE RECEPTACLE

Disp: 600 C-fold or 800 multifold towels. Cap: 14.2-gal. (53.7-L), extends 5 1/8" (130mm). WO: 16" W, 54 3/4" H, 4" min. depth (405 x 1390 x 102mm). TMH: 67-74" (1700-1880mm) to top of unit. BFMH: 60 1/4" (1555mm). Patented.

**B-43949:** Similar to B-43944, with stainless steel skirt for surface-mounting.



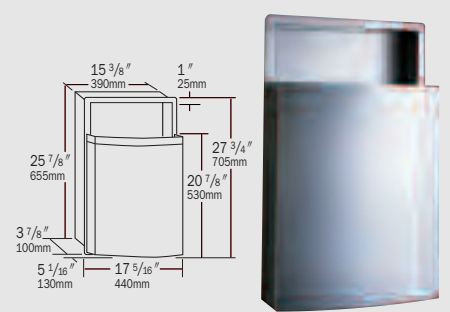
### B-4369 RECESSED PAPER TOWEL DISPENSER AND WASTE RECEPTACLE

Disp: 350 C-fold or 475 multifold towels. Cap: 2.6-gal. (9.8-L), extends 2 1/2" (65mm). WO: 11 3/8" W, 26 5/8" H, 4" min. depth (290 x 675 x 102mm). TMH: 71" (1805mm) to top of unit. BFMH: 52 3/4" (1340mm). Patented.

**B-43699:** Similar to B-4369, with stainless steel skirt for surface mounting. Patented.

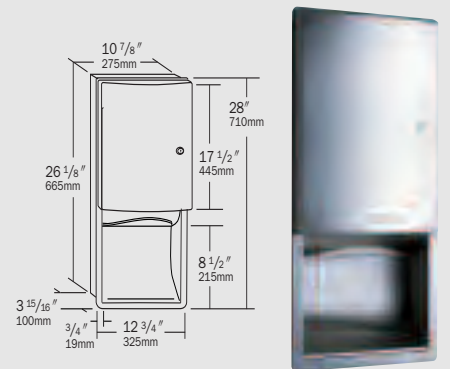
### B-4262 SURFACE MOUNTED PAPER TOWEL DISPENSER

Tumbler lock on top, door swings down for loading. Cabinet back has recessed mounting slots to prevent towels from snagging on mounting screw heads. Disp: 400 C-fold or 525 multifold towels 3 1/8" to 3 13/16" (80-95mm) deep. Furnished with internal adapter for dispensing narrow 2 1/2" to 3 1/8" (65-80mm) deep towels. Refill slots. Unit: 10 13/16" W, 13 1/4" H, 4 11/16" D (275 x 335 x 120mm). TMH: 66-70" (1675-1780mm). BFMH: 52" (1320mm). Patented.



### B-43644 RECESSED WASTE RECEPTACLE

Cap: 11.2-gal. (42.2-L), extends 5 1/8" (130mm). WO: 15 7/8" W, 26 1/4" H, 4" min. depth (405 x 665 x 102mm). TMH: 43-47" (1090-1195mm) to top of unit. Patented.



### B-4362 RECESSED PAPER TOWEL DISPENSER

Disp: 600 C-fold or 800 multifold towels. WO: 11 3/8" W, 26 1/2" H, 4" min. depth (290 x 675 x 102mm). TMH: 78" (1980mm) to top of unit. BFMH: 59 1/2" (1510mm). Patented.

### B-822 LAVATORY MOUNTED SOAP DISPENSER

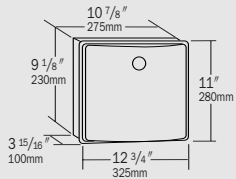
Bright-polished finish matches plumbing fixtures. Corrosion-resistant valve dispenses liquid and lotion soaps and synthetic detergents. Operates with less than 5 lb of force (22.2 N). Stainless steel spout rotates 360° without damage to valve mechanism. Cover locks to body; special key provided. Piston, spout and supply tube removable after unlocking for top filling. Molded plastic shank accommodates up to 4" (102mm) mounting thickness. Translucent polyethylene container. Cap: 34 fl oz (1.0-L). Available as B-822 with 4" (102mm), or as B-8226 with 6" (150mm) spout length. Patented.



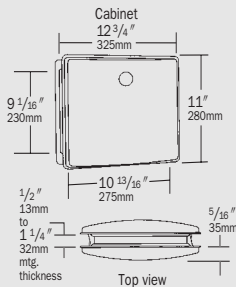
Also available in 20-fl oz (0.6-L) capacity as B-8221 with 4" (102mm) spout length or as B-82216 with 6" (150mm) spout length. Patented.

**B-277 SURFACE MOUNTED WASTE RECEPTACLE**

Bottom has recessed finger grip for safe handling. Cap: 12 3/4-gal. (48.3-L). Unit: 15 1/8" W, 23" H, 8 1/2" D (385 x 585 x 215mm). TMH: 24-36" (610-915mm) to top of unit. Patented.

**B-4353 RECESSED SANITARY NAPKIN DISPOSAL**

Installs on side wall of toilet compartment. Self-closing door pulls down for access to disposal with less than 5 lb of force (22.2 N). Furnished with removable, 1.2-gal. (4.6-L), leak-proof molded plastic receptacle. WO: 11 1/4" W, 9 1/2" H, 4" min. depth. (285 x 240 x 102mm). TMH: 31" (785mm) to top of unit. Patented.

**B-4354 PARTITION MOUNTED SANITARY NAPKIN DISPOSAL**

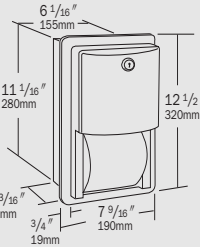
Serves two compartments; mounts through panel 1/2" to 1 1/4" (13-32mm). Self-closing doors pull down for access to disposal with less than 5 lb of force (22.2 N). Furnished with removable, 0.7-gal. (2.7-L), leak-proof molded plastic receptacle. RPO: 11" W, 9 3/8" H (280 x 240mm). TMH: 31" (785mm) to top of unit. Patented.

**B-270 SURFACE MOUNTED SANITARY NAPKIN DISPOSAL**

Cap: 1.0-gal. (3.8-L) Unit: 7 1/2" W, 10" H, 3 13/16" D (190 x 255 x 95mm). TMH: 25-30" (635-760mm) to top of unit. Patented.

**B-4288 SURFACE MOUNTED MULTI-ROLL TOILET TISSUE DISPENSER**

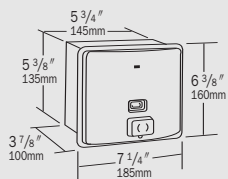
Disp: Two standard core rolls up to 5 1/4" (133mm) diameter (1800 sheets). Extra roll automatically drops in place when bottom roll is depleted. Theft-resistant, heavy-duty one-piece molded plastic spindles. Unit: 6 1/16" W, 11" H, 5 15/16" D (155 x 280 x 150mm). TMH: 28" (710mm) to top of unit. Patented.

**B-4388 RECESSED MULTI-ROLL TOILET TISSUE DISPENSER**

Disp: Two standard core rolls up to 5 1/4" (133mm) diameter (1800 sheets). Extra roll automatically drops in place when bottom roll is depleted. Theft-resistant, heavy-duty one-piece molded plastic spindles. WO: 6 1/4" W, 11 1/4" H, 3 1/4" D (160 x 285 x 85mm). TMH: 28 3/4"-36 3/4" (730-935mm) to top of unit. BFMH: 28 3/4" (730mm) to top of unit. Patented.

**B-4112 SURFACE MOUNTED SOAP DISPENSER**

Corrosion-resistant valve dispenses antibacterial soaps, iodine/ alcohol-based solutions, as well as liquid and lotion soaps and synthetic detergents. Operates with less than 5 lb of force (22.2 N). Front of dispenser drawn, 20-gauge (1.0mm), satin finish stainless steel, one-piece construction. Unbreakable refill window. Concealed wall fastening. Hinged filler top requires special key to open. Vandal-resistant. Cap: 40 fl oz (1.28-L). Unit: 7" W, 6 1/8" H (180 x 155mm). Wall to push button: 3 5/16" (85mm). BFMH: 49" (1245mm) to top of unit. Patented.

**B-4063 RECESSED SOAP DISPENSER**

Corrosion-resistant valve dispenses antibacterial soaps, iodine/alcohol-based solutions, as well as liquid and lotion soaps and synthetic detergents. Operates with less than 5 lb of force (22.2 N). Front of dispenser drawn, 20-gauge (1.0mm), one-piece construction. Covered, molded plastic soap vessel attaches to back of dispenser front. Pulls out for filling and maintenance. Concealed locking device. Unbreakable refill window. Cap: 50 fl oz (1.5-L). Wall to push button: 1 5/8" (40mm). WO: 5 7/8" W, 5 1/2" H, 4" min. depth (150 x 140 x 102mm). BFMH: 49" (1245mm) to top of unit. Patented. Also available with hinged door as 818807. Wall to push button: 1 15/16" (49mm).

**GUARANTEE:**

Bobrick products described herein are guaranteed to be free from defects in workmanship and material for a period of one year from date of purchase. Any products returned to Bobrick under this Guarantee will be repaired or replaced at no charge.

Bobrick ConturaSeries™ products are protected by design patents. Contura and the distinctive arc design are trademarks of Bobrick Washroom Equipment, Inc.

**HEADQUARTERS:****BOBRICK WASHROOM EQUIPMENT, INC.**

11611 Hart Street, North Hollywood, California 91605-5882

+1(818) 764-1000; FAX: +1(818) 503-9941,

e-mail: [international@bobrick.com](mailto:international@bobrick.com)

**AUSTRALIA****BOBRICK WASHROOM EQUIPMENT PTY. LTD.**

1800 353158; FAX: 1800 221926

e-mail: [international@bobrick.com](mailto:international@bobrick.com)

**UNITED KINGDOM****BOBRICK WASHROOM EQUIPMENT LTD.**

0208 366 1771; FAX: 0208 363 5794

e-mail: [uksales@bobrick.com](mailto:uksales@bobrick.com)

**GERMANY****BOBRICK WASHROOM EQUIPMENT**

0800-79-00-456; FAX: 0800-79-00-789

e-mail: [info@bobrick.de](mailto:info@bobrick.de)

**WWW.BOBRICK.COM**

Catalog No. CB-02(INTL.) 12M February 1, 2007

© 2007 Bobrick Washroom Equipment, Inc.

Printed U.S.A.



**BUILDING VALUE SINCE 1906**