

NEWS RELEASE



BOBRICK

FOR IMMEDIATE RELEASE
(see Reach Range Illustration attached)

Contact: Alan Gettelman
Tel: (818) 503-1629; FAX: 818-503-1930

BOBRICK SIMPLIFIES KEY CHANGES IN ADA GUIDELINES FOR PUBLIC WASHROOM DESIGN.

July 18, 2005 — North Hollywood, CA — Bobrick Washroom Equipment, Inc. has just published an Addendum to their Barrier-Free Washroom Planning Guide describing revised ADAAG issued by the Access Board and published in the Federal Register. Plain language descriptions and illustrations make the Addendum an "easy-read."

Now entitled the ADA-ABA Accessibility Guidelines, it incorporates the Architectural Barriers Act (ABA). When adopted, it will cover both private and federally-funded buildings. The Addendum provides an overview of changes that will be enforceable in the future, and functions as a "heads-up" for architects and building owners.

For a complimentary copy of Bobrick's Addendum and Barrier-Free Washroom Planning Guide, telephone 800/553-1600 or visit www.bobrick.com.

#####

NEWS RELEASE

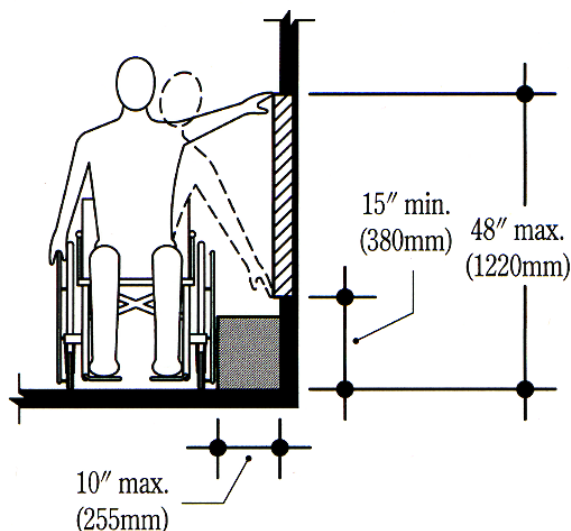


FOR IMMEDIATE RELEASE
(see News Release attached)

Contact: Alan Gettelman
Tel: (818) 503-1629; FAX: 818-503-1930

July 18, 2005

BOBRICK SIMPLIFIES KEY CHANGES IN ADA GUIDELINES FOR PUBLIC WASHROOM DESIGN.



CAPTION:

Side reach is no longer 54" (1370mm) maximum, as in the ICC/ANSI 98 Standard; it is now the same as the forward reach of 48" (1220mm) maximum.

#####