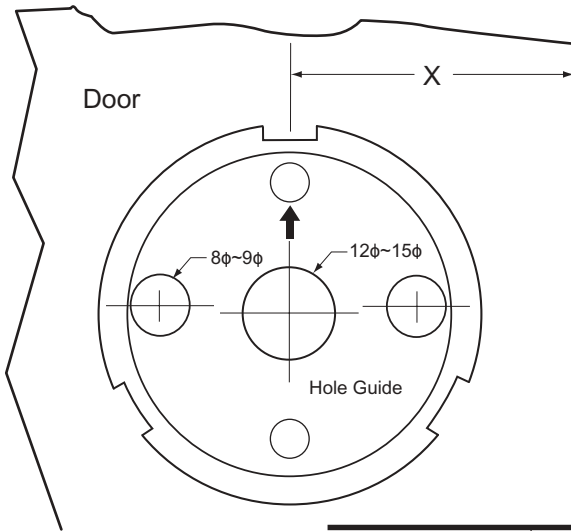


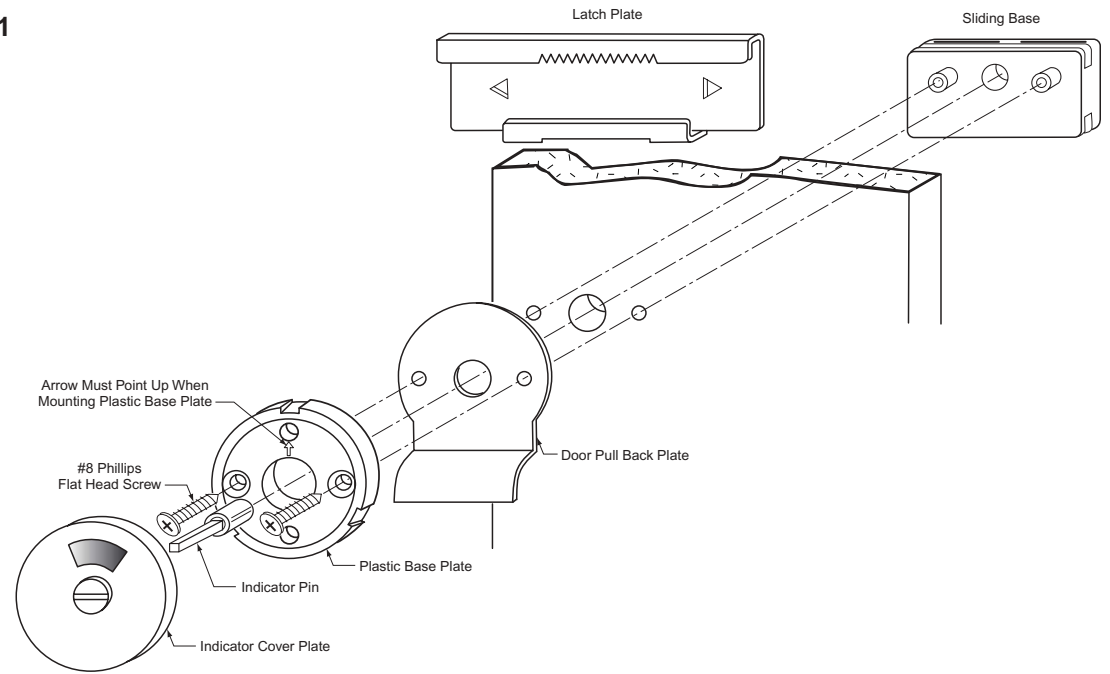
# INSTALLATION INSTRUCTIONS

## BOBRICK MODEL 1002612 OCCUPANCY INDICATOR LATCH



KEEPER	X DIMENSION
InLine I/S Keeper	1-11/16" 43mm
InLine O/S Keeper	2-1/4" 57mm
Alcove I/S Keeper	2-1/16" 52mm
Alcove O/S Keeper	2-7/8" 73mm

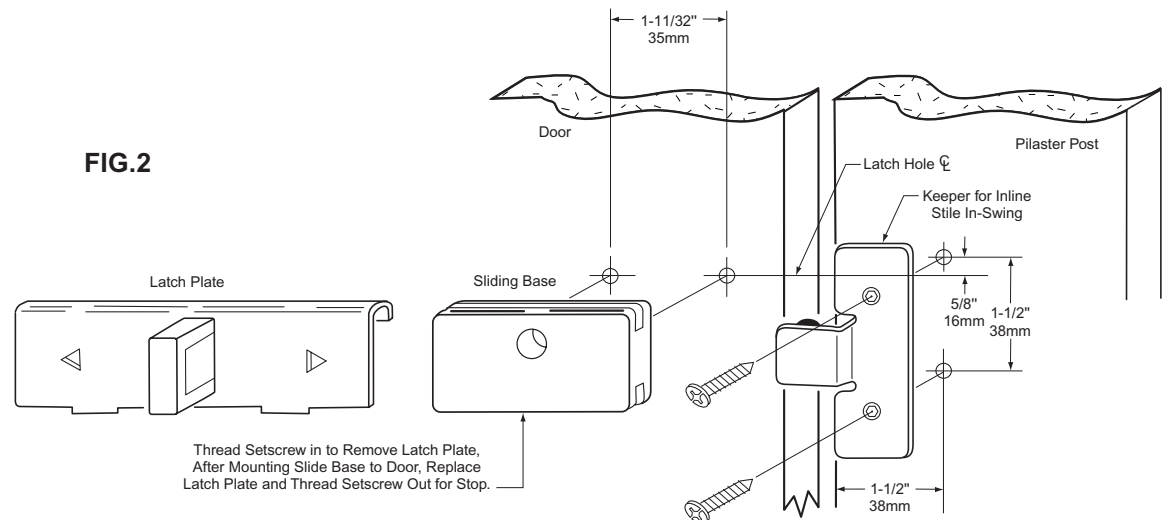
FIG.1



1. Use template and table above to locate mounting plate holes.
2. Drill center hole using 1/2" (13mm) drill.
3. Drill 2 outer holes using 5/16" or 23/64" (8 or 9mm) drill.
4. Attach latch to door per figures 1 and 2. Use two 1-7/16" screws for 1" thick doors or two 1-3/16" screws for 3/4" thick doors.
  - a. Use shorter indicator pin for 3/4" material and longer pin for 1" material.
5. Assure red indicator is showing in indicator window, when the latch track is fully engaged.
6. Attach keeper per figures 3, 4, 5 or 6 on back page using 1002500 screws for plastic laminate and 1002499 for phenolic.
7. For In-Line In-Swing doors Fig. 3 attach (2) 1002023 to door interior to act as door stop. For Perpendicular/Alcove In-Swing doors Fig. 4, attach (1) 1000192 to stile to act as door stop. Use 1002500 screws for 1" thick doors and 1002499 screws for 3/4" thick doors.

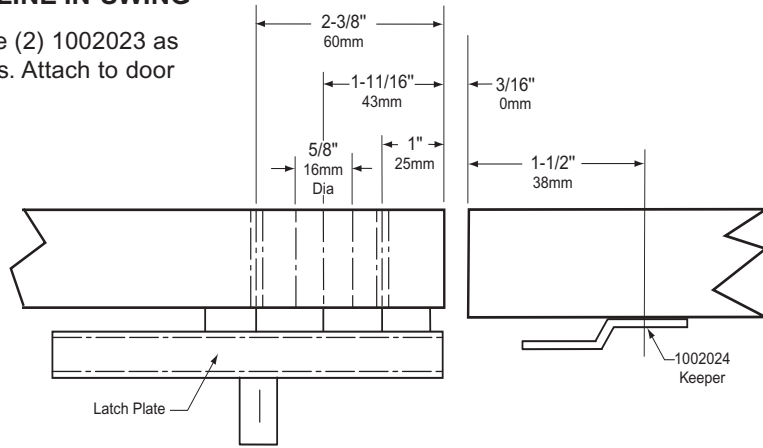
**NOTE:** All dimensions are based on a standard gap of 3/16" between door and stile.

FIG.2



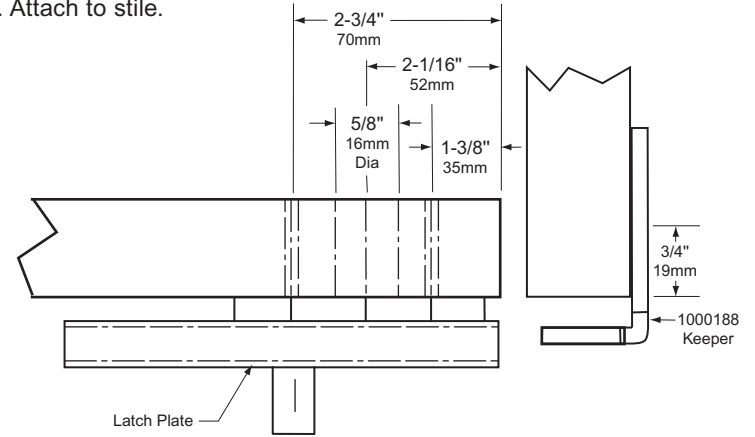
**FIG.3 INLINE IN-SWING**

**Note:** Use (2) 1002023 as door stops. Attach to door interior.

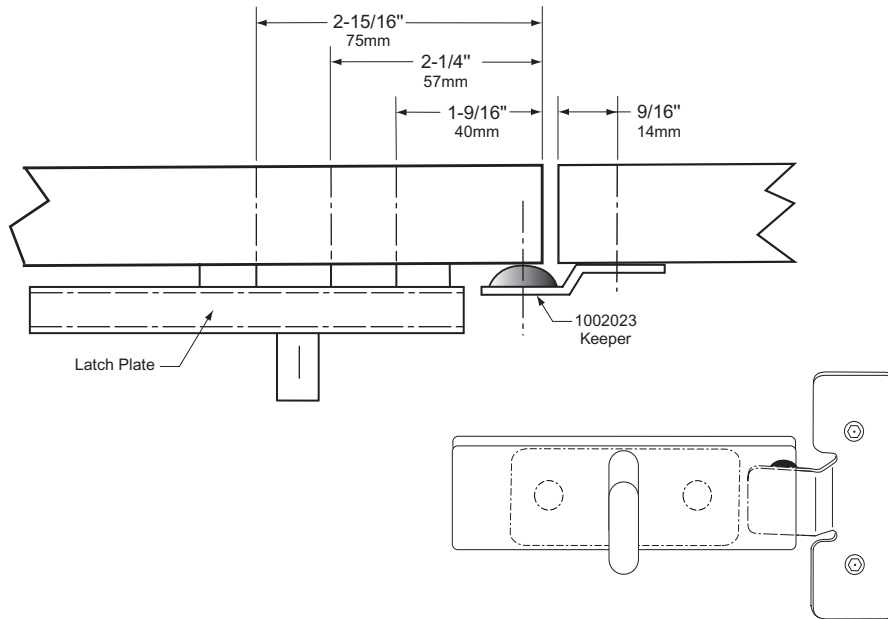


**FIG.4 PERPENDICULAR/ALCOVE IN-SWING**

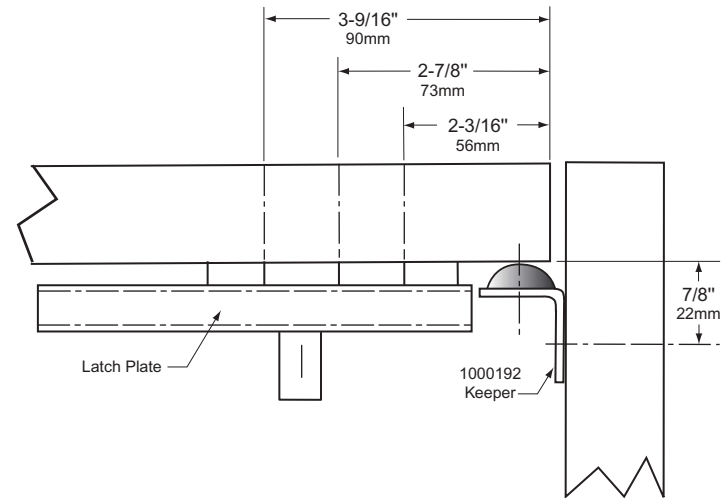
**Note:** Use (1) 1000192 as door stops. Attach to stile.



**FIG.5 INLINE OUT-SWING**



**FIG.6 PERPENDICULAR/ALCOVE OUT-SWING**



**In the U.S.A.: BOBRICK WASHROOM EQUIPMENT, INC.**

200 Commerce Drive, Clifton Park, New York 12065-1350 • Tel: 518/877-7444 • FAX: 518-877-5029  
 11611 Hart Street, North Hollywood, California 91605-5882 • Tel: 818/982-9600 • FAX: 818-503-1102  
 100 Bobrick Drive, Jackson, Tennessee 38301-5625 • Tel: 731/424-7000 • FAX: 731-424-7800

**In Canada: BOBRICK WASHROOM EQUIPMENT COMPANY**

45 Rolark Drive, Scarborough, Ontario M1R 3B1 • Tel: 416/298-1611 • FAX: 416-298-6351