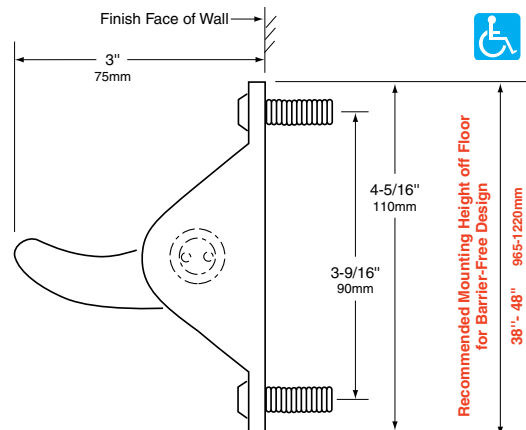
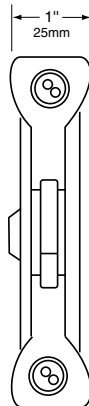




Technical Data

VANDAL-RESISTANT CLOTHES HOOK (SECURED FROM FRONT)

B-981



MATERIALS:

Clothes Hook — 18-8 S, type-304, stainless steel with matte finish. Bracket is 12-gauge (2.7mm). Hook is 7-gauge (4.5mm). Equipped with rubber friction washers.

OPERATION:

Hook pivots down for safety if excessively loaded. Hook tension adjustable by tightening stainless steel vandal-resistant, spanner-head adjustment screw.

INSTALLATION:

Mount unit with two (2) 1/4-20 x 1" (6 x 25mm) stainless steel vandal-resistant, spanner-head machine screws, furnished by manufacturer, at points indicated by an S. Expansion shields not furnished by manufacturer.

Note: Spanner-head screw driver for vandal-resistant mounting screws and hook tension adjustment screw is not furnished with Model B-981. Bobrick Part No. 981-45, Notched Spanner Insert Bit, is available as an optional accessory.

SPECIFICATION:

Clothes hook shall be type-304 stainless steel with matte finish. Bracket shall be 12-gauge (2.7mm). Hook shall be 7-gauge (4.5mm). Hook shall be equipped with rubber friction washers. Hook shall pivot down for safety if excessively loaded. Hook tension shall be adjustable by tightening stainless steel vandal-resistant, spanner-head adjustment screw. Hook shall be furnished with stainless steel vandal-resistant spanner-head mounting screws. Manufacturer's service and parts manual shall be provided to the building owner/manager upon request.

Clothes Hook shall be Model B-981 of Bobrick Washroom Equipment Inc., Clifton Park, New York; Jackson, Tennessee; Los Angeles, California; Bobrick Washroom Equipment Company, Scarborough, Ontario; Bobrick Washroom Equipment Pty. Ltd., Australia; and Bobrick Washroom Equipment Limited, United Kingdom.