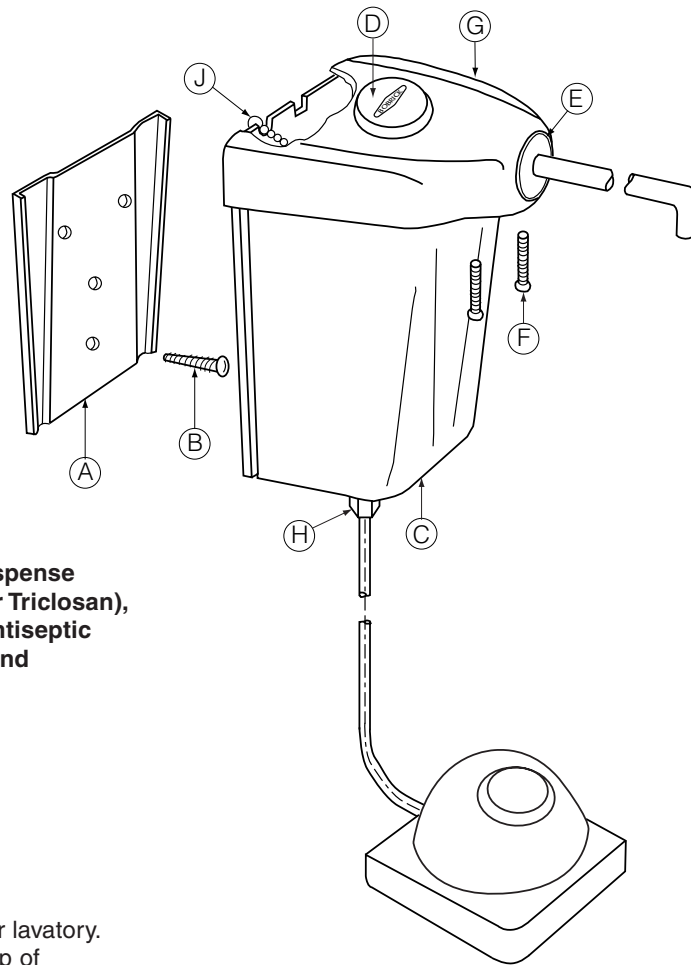


# INSTRUCTIONS FOR INSTALLATION AND MAINTENANCE

## BOBRICK MODEL B-119 FOOT-OPERATED ANTIBACTERIAL SOAP DISPENSER

### • INSTALLER •

PLEASE GIVE THESE  
OPERATING INSTRUCTIONS  
TO THE BUILDING OWNER



**Designer's Note:** Soap valve is designed to dispense antibacterial soaps (active ingredient PCMX or Triclosan), iodine-based surgical soaps, alcohol-based antiseptic solutions, as well as liquid and lotion soaps, and synthetic detergents.

### INSTALLATION:

**NOTE:** Locate dispenser so that spout will be over lavatory. Allow 4" (102mm) minimum clearance between top of dispenser and bottom of any shelf, cabinet or other projection in order to have enough space to fill dispenser conveniently.

TO ATTACH WALL BRACKET WITH SCREWS, place screws in three of the four holes provided. The surface on which unit is to be mounted determines type of screws required for best installation.

**1. For plaster or dry wall on studs,** provide concealed backing and secure wall bracket (A) with mounting screws (B) furnished by manufacturer. Backing must comply with local building codes.

**2. For hollow tile partitions** and other instances where applicable, use 1/8" (3mm) round-head toggle bolts.

**3. For brick, concrete, or solid tile walls,** provide #8 fiber plugs for use with screws (B) furnished or provide 1/8" (3mm) toggle bolts or expansion bolts.

TO MOUNT DISPENSER, position complete dispenser at top of wall bracket (A) so grooves in container (C) fit into wall bracket. Slide dispenser down until secure.

### MAINTENANCE:

**1. TO FILL DISPENSER,** remove filler top (D) by turning 1/4 turn in either direction to lift off. Fill container (C) and reattach filler top in the same manner.

**2.** Clean equipment operates better, lasts longer and requires less maintenance. Wipe the unit daily using a damp cloth. Soap and water make the best cleaner for all metal and plastic parts. NEVER USE ABRASIVE CLEANERS.

**3.** If the soap valve fails to operate satisfactorily, the problem may be caused by dried soap or dirt clogging spout assembly (E). To remedy, immerse entire dispenser in warm water.

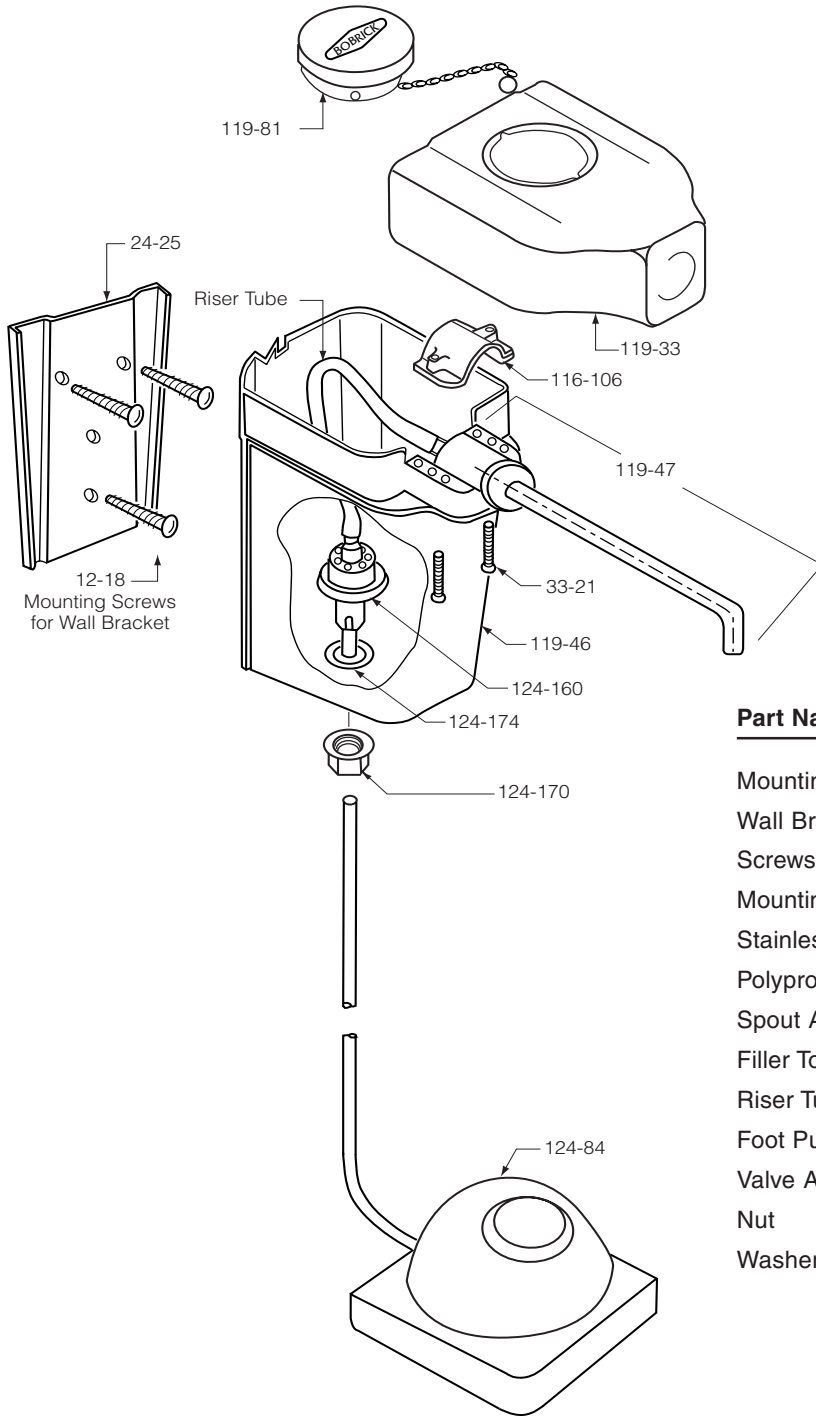
TO DISASSEMBLE DISPENSER, unscrew two screws (F), slide hood (G) forward to remove. Pull complete spout assembly (E) out of hood. Unscrew nut (H) to remove valve from dispenser.

TO REASSEMBLE DISPENSER, reverse above procedure, making sure ball on end of filler top chain (J) is positioned in back of container (C) as shown.

continued . . .

# REPLACEMENT PARTS LIST

## BOBRICK MODEL B-119 FOOT-OPERATED ANTIBACTERIAL SOAP DISPENSER



Part Name	Part No.
Mounting Screws (set of 3)	12-18
Wall Bracket	24-25
Screws for Mounting Block (set of 2)	33-21
Mounting Block	116-106
Stainless Steel Hood	119-33
Polypropylene Container (Blue)	119-46
Spout Assembly	119-47
Filler Top with Chain and logo	119-81
Riser Tube	119-152
Foot Pump and Flexible Tubing	124-84
Valve Assembly	124-160
Nut	124-170
Washer	124-174



**In the U.S.A.: BOBRICK WASHROOM EQUIPMENT, INC.**

200 Commerce Drive, Clifton Park, New York 12065-1350 • Tel: (518) 877-7444 • FAX: 518-877-5029  
 11611 Hart Street, North Hollywood, California 91605-5882 • Tel: (818) 982-9600 • FAX: 818-503-1102  
 100 Bobrick Drive, Jackson, Tennessee 38301-5625 • Tel: (731) 424-7000 • FAX: 731-424-7800

**In Canada: BOBRICK WASHROOM EQUIPMENT COMPANY**

45 Rolark Drive, Scarborough, Ontario M1R 3B1 • Tel: (416) 298-1611 • FAX: 416-298-6351