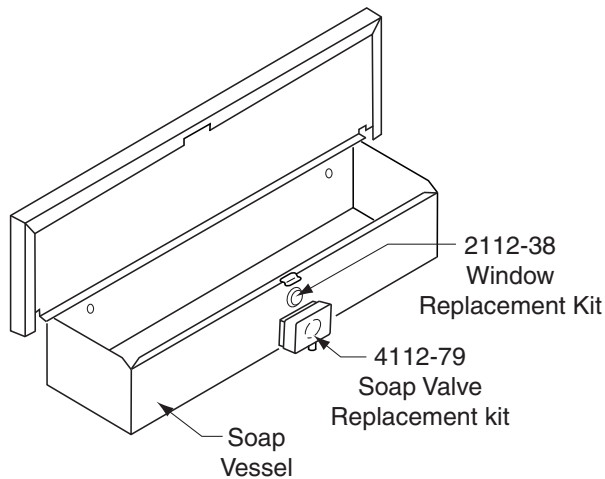


# INSTRUCTIONS FOR INSTALLATION AND MAINTENANCE

BOBRICK MODEL B-2014 SOAPERSHELF®



## REPLACEMENT PARTS LIST

Part Name	Part No.
Window Replacement Kit	2112-38
Valve Replacement Kit (includes collar nut & aluminum wrench)	4112-79

### INSTALLATION:

Locate soapersshelf, so that spout will be over lavatory. Allow enough space between shelf and any overhead projection, so that cover can be fully opened in order to fill the soap vessel conveniently. Secure unit to the wall with two #8 x 1-1/4" sheet-metal screws.

For plaster wall or dry wall on studs, provide concealed backing to comply with local building codes. Secure unit with #8 x 1-1/4" sheet-metal screws.

For hollow tile partitions and other instances where applicable, use 1/8" (3mm) round-head toggle bolts.

For brick, concrete or solid tile walls, use #8 x 1-1/4" sheet-metal screws and #8 fiber plugs or #8 x 1-1/4" machine screws and expansion bolts.

### TO FILL SOAP VESSEL:

Raise cover to open (vertical) position and fill soap vessel with liquid or lotion soap, or synthetic detergent. Capacity: 95-fl oz (2.8-L).

**NOTE: Do not use antibacterial soaps (active ingredient PCMX or Triclosan), iodine-based surgical soaps, or alcohol-based antiseptic solutions in this unit; soap vessel is not designed to dispense these types of corrosive soaps.**

Close cover.

### MAINTENANCE:

Clean equipment operates better, lasts longer, and requires less maintenance. Wipe unit daily, using a damp cloth. Periodically give the unit an overall cleaning. Warm water mixed with mild soap is the best cleaning solution for all dispenser parts. **NEVER USE CORROSIVE OR ABRASIVE CLEANERS.**

### VALVE REPLACEMENT INSTRUCTIONS

#### TO REMOVE VALVE:

1. Raise cover to open position.
2. Remove plastic nut from rear of soap valve.
3. Pull soap valve out the front of the soap vessel.

#### TO INSTALL VALVE:

1. Push the soap valve into the soap vessel with valve tabs in the soap valve hole notches with spout facing downward.
2. Thread collar nut onto rear of soap valve and tighten with wrench until tight enough so that valve will not leak around seal at front of unit.
3. Close cover

