

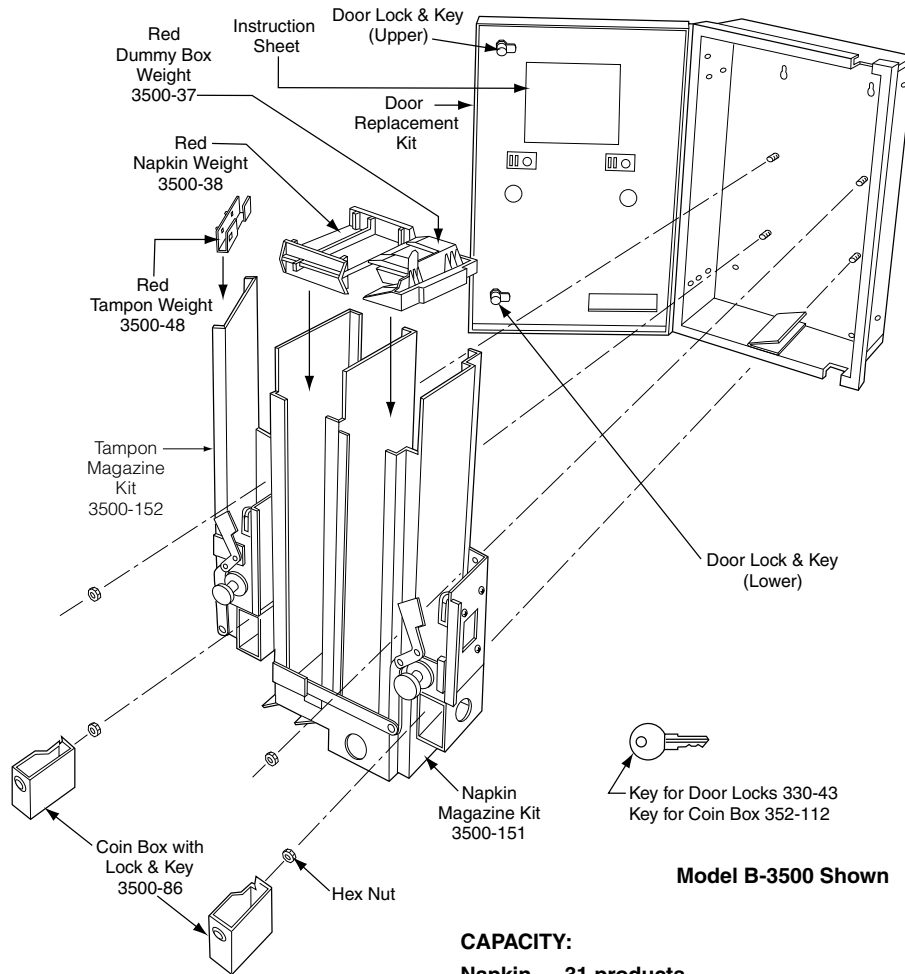
INSTRUCTIONS FOR INSTALLATION

BOBRICK SANITARY NAPKIN/TAMPON VENDORS – MODELS B-2800, B-2800x2, B-3500, B-3500X2, B-43500, B-43500X2, AND B-453009

TO CONVERT COINAGE

Remove tampon magazine, then napkin magazine, by removing two (2) hex nuts (234-47) per magazine using a 3/8" socket with a 6" extension.

Follow desired coinage conversion below:



CAPACITY:

Napkin — 31 products
 Size: 3" x 1" x 4-1/4" (75 x 25 x 110mm)
Tampon — 22 products
 Size: 5-1/8" L x 11/16" (130 x 17mm)

DOOR LOCK & KEY:

(upper)	(lower)
2800-28	2800-48 (Lock Only)
3500-94	3500-99
43500-24	43500-24

CONVERSION OF COIN MECHANISMS:

Order kit(s)	
25¢ Coin Plates	3500-156
50¢ Coin Plates	3500x2-177
Free Coin Plates	3500-157

COINAGE	25¢ SINGLE-COIN OPERATION	FREE NO-COIN OPERATION	50¢ DOUBLE-COIN OPERATION
RIGHT-HAND FACE OF COIN MECHANISM			
KEY:	<ul style="list-style-type: none"> ⊗ #6-32 x 3/4" Screw ⊙ #10 x 3/8" Screw ⊕ #10 x 5/8" Screw (Supplied in Conversion Kits) 	Replace with #10 x 5/8" Screw	Remove #6-32 x 3/4" Screw
LEFT-HAND FACE OF COIN MECHANISM			
KEY:	<ul style="list-style-type: none"> ⊙ Screw-thread location 	Upper and lower coin pawls should not be in contact with coin barrel while installing the holding screws	Both upper and lower coin pawls should be in contact with coin barrel.



© 2006 Bobrick Washroom Equipment, Inc.
 Form No. 3500-167 Series C Revised 7/06 Printed in U.S.A.

In the U.S.A.: BOBRICK WASHROOM EQUIPMENT, INC.
 200 Commerce Drive, Clifton Park, New York 12065-1350 • Tel: 518/877-7444 • FAX: 518-877-5029
 11611 Hart Street, North Hollywood, California 91605-5882 • Tel: 818/982-9600 • FAX: 818-503-1102
 100 Bobrick Drive, Jackson, Tennessee 38301-5625 • Tel: 731/424-7000 • FAX: 731-424-7800

In Canada: BOBRICK WASHROOM EQUIPMENT COMPANY
 45 Rolark Drive, Scarborough, Ontario M1R 3B1 • Tel: 416/298-1611 • FAX: 416-298-6351