

# INSTRUCTIONS FOR INSTALLATION AND MAINTENANCE

## BOBRICK RECESSED SANITARY NAPKIN/TAMPON VENDORS – MODELS B-35007 AND B-35007X2

### INSTALLATION:

Provide framed rough wall opening 15-1/4" wide x 25-1/2" high (385 x 650mm). Minimum recessed depth to finish face of wall is 4" (102mm). Secure to framed rough wall opening with four screws furnished by manufacturer. Shim between cabinet and framed rough wall opening to prevent distortion when mounting screws are tightened. Mount vendor plumb and true in wall opening. Coordinate with mechanical engineer to avoid pipes, vents, and conduits.

### MAINTENANCE:

#### To Fill Vendor

It is not necessary to remove magazines from cabinet to load. Remove red weights. Fill right magazine with napkins (capacity 31). Fill left magazine with tampons (capacity 22). Replace red weights on top of each magazine with label facing forward.

Vendor dispenses napkin packages measuring 3" x 1" x 4-1/4" (75 x 25 x 110mm) and tampon packages measuring 5-1/8" long x 11/16" diameter (130 x 17mm). See Bobrick Advisory Bulletin TB-25 for availability of napkin and tampon brand names.

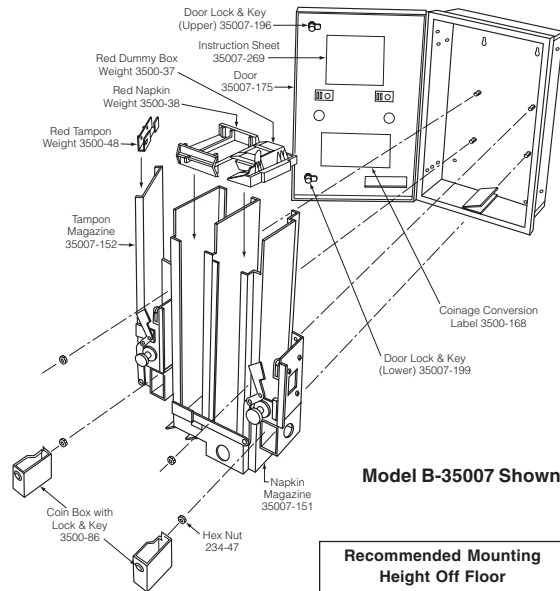
### CONVERSION OF COIN MECHANISMS AND COIN PLATES:

#### Coin Mechanisms

The coin mechanism can be easily converted in the field. Remove hex nuts, 2 per magazine. Remove tampon magazine first from cabinet, then napkin magazine. Follow instructions below (Form No. 3500-168) to make conversion to desired coin denomination. Reinstall napkin magazine first, then tampon magazine.

#### Coin Plates

Whenever a conversion is made, *new coin plate kits showing correct coinage must be ordered and installed on front of door.* Remove old coin plates by pushing from back through holes in door. Thoroughly clean surface for new coin plate with alcohol, acetone, or MEK. Peel off protective backing and install the new coin plates.



**Recommended Mounting Height Off Floor**  
70" to 74" (1780 to 1880mm)  
to top of rough wall opening  
For barrier-free design  
50" (1270mm)

### REPLACEMENT PARTS LIST

Part Name	Part No.
Door Assembly	35007-175
Upper Door Lock and Key	35007-196
Lower Door Lock and Key	35007-199
Key for Door Locks	330-43
Napkin Magazine Kit (31 Napkins)	35007-151
Tampon Magazine Kit (22 Tampons)	35007-152
Red Dummy Box Weight	3500-37
Red Napkin Weight	3500-38
Red Tampon Weight	3500-48
Coin Box with Lock and Key (2)	3500-86
Key for Coin Box	352-112
10¢ Coin Plate — Kit	35007-155
25¢ Coin Plate — Kit	35007-156
Free Coin Plate — Kit	35007-157
30¢ Coin Plate — Kit	35007X2-175
35¢ Coin Plate — Kit	35007X2-176
50¢ Coin Plate — Kit	35007X2-177
Hex Nut	234-47



© 2006 by Bobrick Washroom Equipment, Inc.  
Form No. 35007-269 Issued 7/06 Printed in U.S.A.

In the U.S.A.: BOBRICK WASHROOM EQUIPMENT, INC.

200 Commerce Drive, Clifton Park, New York 12065-1350 • Tel: (518) 877-7444 • FAX: 518-877-5029  
11611 Hart Street, North Hollywood, California 91605-5882 • Tel: (818) 982-9600 • FAX: 818-503-1102  
100 Bobrick Drive, Jackson, Tennessee 38301-5625 • Tel: (731) 424-7000 • FAX: 731-424-7800

In Canada: BOBRICK WASHROOM EQUIPMENT COMPANY

45 Rolark Drive, Scarborough, Ontario M1R 3B1 • Tel: (416) 298-1611 • FAX: 416-298-6351