

INSTRUCTIONS FOR INSTALLATION AND MAINTENANCE

BOBRICK TRIMLINE™ SERIES CONDOM VENDORS

MODELS B-3501 50 AND B-2801 50

Recommended Mounting Height Off Floor
 73" to 77" (1855 to 1955mm)
 to top of rough wall opening.
 For barrier-free design: 56" (1420mm)

INSTALLATION:

B-3501 50 RECESSED VENDOR

Provide framed rough wall opening 15-1/4" (385mm) wide x 25-1/2" (650mm) high. Minimum recessed depth to finished wall is 5-1/2" (140mm). Secure to framed rough wall opening with four screws furnished by manufacturer. Shim between cabinet and framed rough wall opening to prevent distortion when mounting screws are tightened. Mount vendor plumb and true in wall opening. Coordinate with engineer to avoid pipes and vents.

B-2801 50 SURFACE-MOUNTED VENDOR

Provide concealed backing at screw points secured to studs. Backing must comply with local building codes. Secure cabinet to wall with four toggle bolts (not furnished by Bobrick). For solid wall, use #8 fiber plugs or 1/8" (3mm) expansion bolts (not furnished by Bobrick). Mount cabinet plumb and true on wall.

MAINTENANCE:

TO FILL VENDOR:

It is not necessary to remove dispensing magazines from cabinet to fill vendor with packaged condoms.

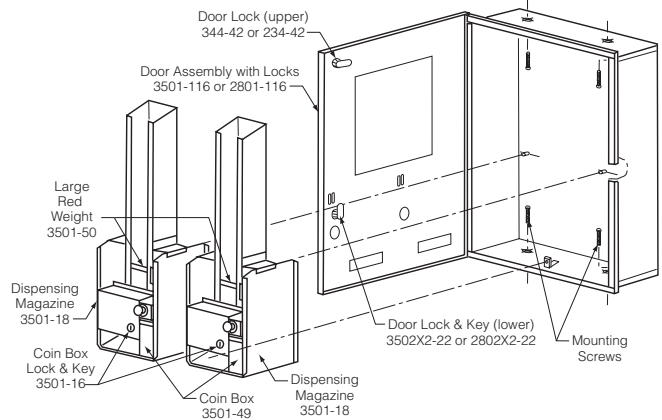
Unit as furnished will dispense 2-1/4" x 2-1/4" x 1/4" (57 x 57 x 6mm) size packaged condoms. Capacity 60 packaged condoms per each dispensing magazine. To convert vendor to dispense 1-1/2" x 2-1/8" x 1/4" (38 x 54 x 6mm) size packaged condoms, see *Conversion Instructions*.

Remove red weights. Fill dispensing magazine chutes with packaged condoms. Make sure each stack is uniform. Replace a red weight on top of each stack of packaged condoms in each dispensing magazine chute with label facing forward.

CONVERSION INSTRUCTIONS:

TO DISPENSE 1-1/2" x 2-1/8" x 1/4" (38 x 54 x 6mm) SIZE PACKAGED CONDOMS:

1. Remove 2 adapter channels and 2 small red weights from storage position on left side of cabinet interior.
2. Remove 2 large red weights from dispensing magazine chutes. Store these weights on left side of cabinet interior.
3. Install adapter channel inside each dispensing magazine chute. It is not necessary to remove dispensing magazines from cabinet. Insert adapter channel into chute sideways. Rotate adapter channel so hook at top of channel faces back of chute. Hook top of adapter channel over top back edge of dispensing magazine chute. Position adapter channel against back of chute. See Figure A.
4. Fill each dispensing magazine chute with 1-1/2" x 2-1/8" x 1/4" (38 x 54 x 6mm) size packaged condoms. Make sure each stack is uniform.
5. Replace a small red weight on top of each stack of packaged condoms in each dispensing magazine chute with label facing forward.



REPLACEMENT PARTS LIST

Part Name	Part No.
Door Assembly — Model B-3501 50 (with locks, keys)	3501-116
Door Assembly — Model B-2801 50 (with locks, keys)	2801-116
Upper Door Lock — Model B-3501 50	344-42
Lower Door Lock and Key — Model B-3501 50	3502X2-22
Upper Door Lock — Model B-2801 50	234-42
Lower Door Lock and Key — Model B-2801 50	2802X2-22
Key for Door Locks	330-43
Dispensing Magazine for Coin Operation (60 Condoms)	3501-18
Adapter Channel	3501-55
Large Red Weight 2-1/4" x 2-1/4"	3501-50
Small Red Weight 1-1/2" x 2-1/4"	3501-51
Coin Box	3501-49
Lock and Key for Coin Box	3501-16
Key for Coin Box	352-112
50¢ Coin Plate — Condoms	3501-103

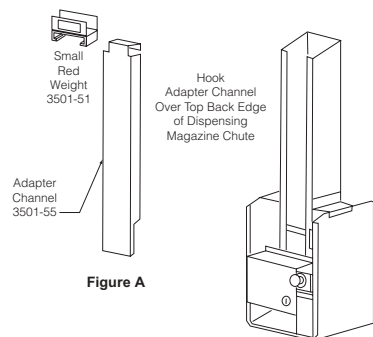


Figure A



In the U.S.A.: BOBRICK WASHROOM EQUIPMENT, INC.

200 Commerce Drive, Clifton Park, New York 12065-1350 • Tel: (518) 877-7444 • FAX: 518-877-5029
 11611 Hart Street, North Hollywood, California 91605-5882 • Tel: (818) 982-9600 • FAX: 818-503-1102
 100 Bobrick Drive, Jackson, Tennessee 38301-5625 • Tel: (731) 424-7000 • FAX: 731-424-7800

In Canada: BOBRICK WASHROOM EQUIPMENT COMPANY

45 Rolark Drive, Scarborough, Ontario M1R 3B1 • Tel: (416) 298-1611 • FAX: 416-298-6351