

INSTRUCTIONS FOR INSTALLATION AND MAINTENANCE

BOBRICK MODEL B-60 SOAP DISPENSER

TO INSTALL THE DISPENSER (Fig. 1):

1. Locate Model B-60 soap dispenser so the push button spout will be over a sink or lavatory. Allow 4" (100mm) minimum clearance between top of dispenser and bottom of any horizontal projection to provide enough space to conveniently fill soap container.
2. Remove large cap from soap container.
3. Align the soap dispenser vertically against wall.
4. Mark the location of the three (3) mounting holes on the wall.
5. Pre-drill three (3) mounting holes for #10 x 1-1/4" (4 x 32mm) screws furnished.
6. Secure soap dispenser to wall with the three mounting screws. Rubber washer must be used inside soap container to seal top mounting.

For plaster or dry wall construction, provide concealed backing to comply with local building codes, then secure unit with screws furnished.

For other wall surfaces, provide fiber plugs or expansion shields for use with screws furnished, or provide 1/8" (3mm) toggle bolts or expansion bolts.

7. Replace large cap.

TO FILL THE CONTAINER:

1. Unscrew large cap on top of container.
2. Fill container with liquid or lotion soap, or synthetic detergent; 1-1/2 gal. (5.7-L) maximum. *Do not fill above the FULL level line indicated on front of container.*

NOTE: All Bobrick liquid soap dispensers are designed to dispense commercially marketed all-purpose hand soaps including liquid and lotion soaps, synthetic detergents, and antibacterial soaps containing PCMX and/or Triclosan. Bobrick soap dispensers are not designed to dispense alcohol-based hand sanitizers or iodine-based surgical soaps.

3. Replace large cap.

VALVE REPLACEMENT INSTRUCTIONS

TO REMOVE VALVE:

1. Remove large cap.
2. Loosen locking-screw inside dispenser. Remove dispenser from wall and empty soap container.
3. Place 1" (25mm) closed-end wrench (provided) inside soap container and over the large collar nut at rear of soap valve and loosen until face of valve can rotate.
4. While holding the collar nut in place with the wrench, unscrew soap valve from the front of the unit by rotating counterclockwise.

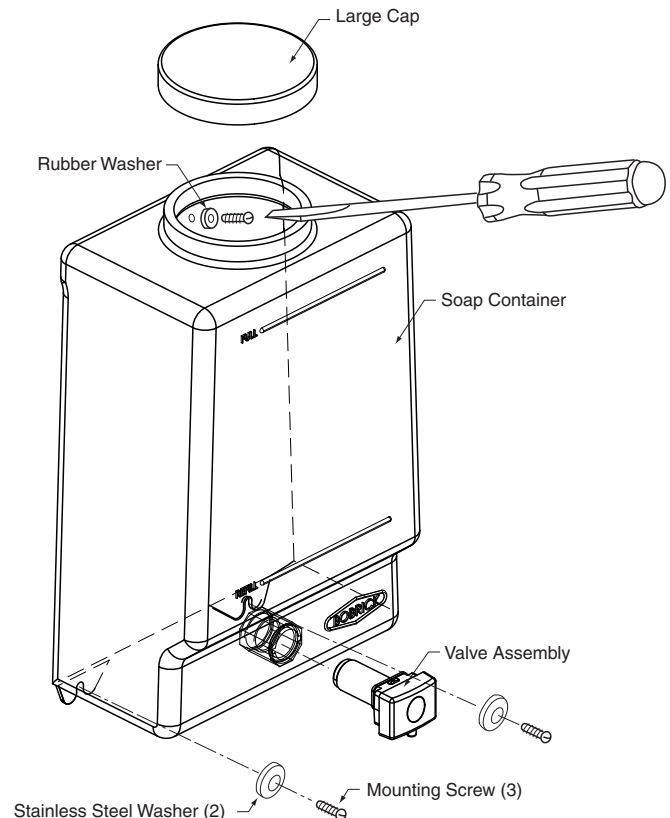


Fig. 1

TO INSTALL VALVE:

1. Hold the collar nut with the 1" (25mm) closed-end wrench. Make sure the notch in the collar nut is facing toward the front of the dispenser and position nut behind soap valve hole inside dispenser.
2. Screw new soap valve into collar nut, clockwise, until rear of valve face hits the front of the soap container.
3. Push the soap valve into the rectangular recess in the face of the soap container with spout facing downward.
4. Tighten collar nut with wrench until tight enough so that valve will not leak around seal at front of unit.
5. Install soap dispenser on wall.

Note: 4112-79 is not retrofittable into units manufactured prior to 1/2010. Must install on units with notched soap valve hole.

REPLACEMENT PARTS LIST

Part Name	Part No.
Soap Container	60-108
Valve Assembly	4112-79
Large Cap	60-35

