



Guide for Ordering Replacement Locks and Keys for Bobrick Washroom Equipment

The same lock is used on variations of a basic cabinet, such as cabinets with skirts, cabinets with optional features designated by suffix numbers or variations in soap valves, door, depth of waste receptacle, finish; or any other modifications which would not affect the lock. All models keyed alike with Bobrick CAT-74 Key, P/N 330-43, except for security, vendor coin boxes have Key P/N 352-112. If lock with CAT-118 Key is ordered, use P/N 352-122. A BobKey is included with soap vessels and theft-resistant spindles.

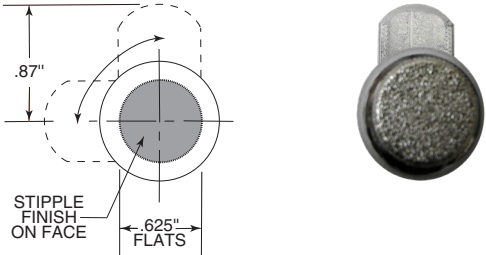
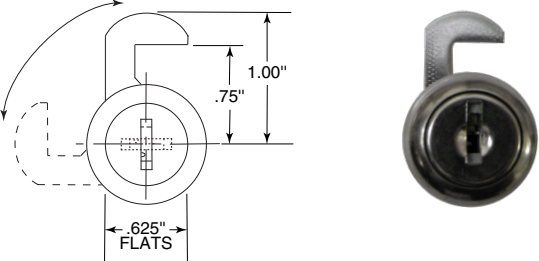
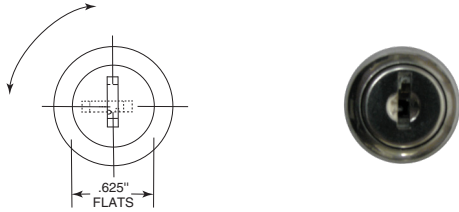
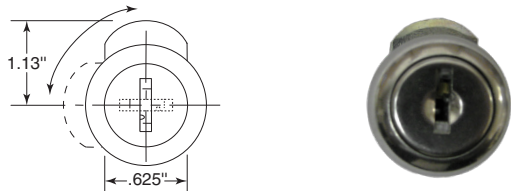
| Model Number | Lock & Key | Model Number | Lock & Key |
|---------------------------|--|-------------------------|---|
| B-254 | 39003-21 | B-37063 ⁽⁵⁾ | 383257 (Door Lock) |
| B-262 | 352-100 | | 3706-15 |
| | 2621-8 (Knob Latch) | | 3706-214 |
| B-2621 | 2621-8 (Knob Latch) | B-37063.MBLK C | 383257.MBLK (Door Lock) |
| B-26212 | 352-100 | B-37063.MBLK 25 | 383257.MBLK (Door Lock) |
| B-263 | 263-39 | B-370634 ⁽⁵⁾ | 383257 (Door Lock) |
| B-2012, B-2013 | 2012-41 | | 3706-15 |
| B-2706 ⁽⁵⁾ | 383257 (Door) | | 3706-214 |
| | 3706-15 (Security Lock) | | 3706-15 |
| | 3706-214 | | 3706-214 |
| B-2746 | 2746-9 | B-370634.MBLK 25 | 383257.MBLK (Door Lock) |
| B-2860 | 3500-100 | B-370634.MBLK C | 383257.MBLK (Door Lock) |
| B-2888 | 388-42 | B-3803 Series | 39003-21 |
| | 2621-8 (Knob Latch) | B-3803.MBLK | 38030-20.MBLK |
| B-2890 | 2890-17 (lock and key) | B-38030 Series | 38030-304 (Door Lock & Key) |
| | 2890-41 (key only) | | 38030-318 (Lock, Key, & Mtg Plate Assy) |
| B-2892 | 2892-36 | B-38032.MBLK | 38030-20.MBLK |
| B-2974 | 2974-100 | B-38033 | 38030-304 (Lock & Key) |
| B-29744 | 2974-100 | B-38034.MBLK | 38030-20.MBLK |
| B-301 | 301-19 | B-380349.MBLK | 38030-20.MBLK |
| B-306.MBLK | 305-19.MBLK | B-388 | 388-42 |
| B-3013 | 388-42 | B-3888 | 388-42 |
| B-3013.MBLK | 288-42.MBLK | | 2621-8 (Knob Latch) |
| B-3091 | 388-42 | B-39003.MBLK | 38030-20.MBLK |
| B-3092 | 388-42 | B-39003 Series | 39003-21 |
| B-30919 | 388-42 | B-3944 Series | 330-41 (Door: 2006 & earlier) |
| B-30929 | 388-42 | | 330-148 (Old Door Knob Latch) |
| B-3094 | 353-25 | | 3944-30 (Door, Convertible: 2007 & newer) |
| B-347 Series | 314370-22 (Old Knob Latch) 3803-5 | | 3944-41 (Waste Receptacle) |
| B-353 | 39003-21 | | 3944-143 (New Knob Latch Waste) |
| | 314370-22 (Knob Latch) | B-3961 | 38077-15 (Old Door) |
| B-354 | 39003-21 | | 3500-100 (New Door) |
| | 314370-22 (Knob Latch) | | 3944-41 (Receptacle) |
| B-357 Series | 314370-22 (Old Knob Latch) | | 3944-143 (Knob Latch) |
| | 3803-5 (Top & Bottom) | B-3974 | 3500-100 (Door) |
| B-3570 Series | 39003-21 | | 3944-41 (Receptacle) |
| | 314370-22 (Knob Latch) | B-39747 | 3500-100 (Door) |
| B-3479.MBLK, B-3579.MBLK | 388-42.MBLK (upper), 3803-5.MBLK (lower) | | 3944-41 (Receptacle) |
| B-359 | 352-100 | B-3979 | 3500-100 (Door) |
| | 2621-8 (Knob Latch) | | 3944-41 (Receptacle) |
| B-3588, B-35883 | 388-42 (Lock & Key) | B-4262 | 4262-36 |
| | 2621-8 (Knob Latch) | B-4288 | 288-42 |
| B-3588.MBLK, B-35883.MBLK | 288-42.MBLK | B-4369 | 4369-20 |
| B-35633.MBLK | 38030-20.MBLK | B-4388 | 288-42 |
| B-35639.MBLK | 38030-20.MBLK | B-4706 ⁽⁶⁾ | 43500-24 (Door) |
| B-35643.MBLK | 38030-20.MBLK | | 4706-175 |
| B-35649.MBLK | 38030-20.MBLK | | 3706-214 |
| B-359033, B-359039 | 3013-112 (Door Lock) | B-72974 | 24-17 BobKey |
| B-359033.MBLK | 38030-20.MBLK | B-9262 | 4369-20 |
| B-359039.MBLK | 38030-20.MBLK | B-9262.MBLK | 4369-20.MBLK |
| B-369 | 369-42 (Knob Latch) | B-9890 | 4369-20 |
| | 319148 | B-9890.MBLK | 4369-20.MBLK |
| B-3644 | 3944-41 | | |
| B-3706 ⁽⁵⁾ | 383257 (Door Lock) | | |
| | 3706-15 (Security Lock) | | |
| | 3706-214 (Coin Box) | | |

Guide for Ordering Replacement Locks and Keys for Bobrick Washroom Equipment

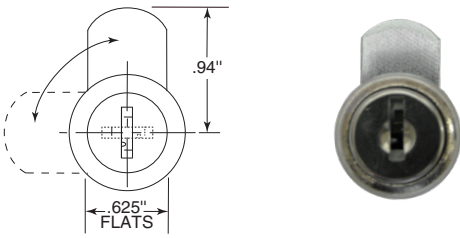
Earlier Production with Non-Current Locks

| Model Number | Lock & Key | Units Manufactured |
|---------------|------------|-------------------------|
| B-288 | 388-19 | Prior to January 1972 |
| B-306, B-3067 | 305-19 | |
| B-307, B-3077 | | |
| B-366 Series | 360-48 | Prior to October 1986 |
| B-369 | 317893-42 | Prior to September 2000 |
| B-386, 388 | 288-122 | Between 1/72 and 4/89 |

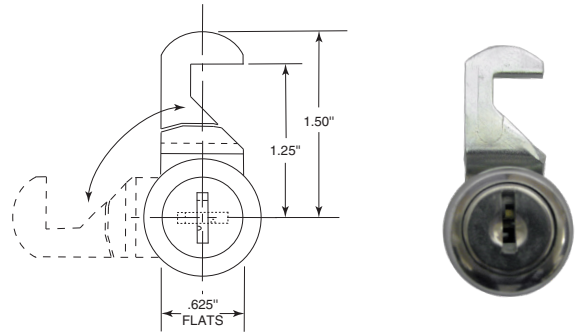
Lock & Key Reference Guide

| | |
|---|--|
| <p style="text-align: center;">2621-8 (Knob Latch)</p>  | <p style="text-align: center;">263-39</p>  |
| <p style="text-align: center;">2746-9</p>  | <p style="text-align: center;">288-122</p>  |

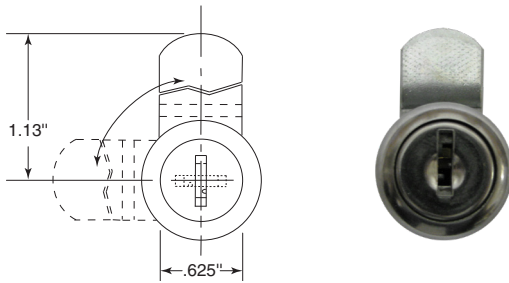
288-42



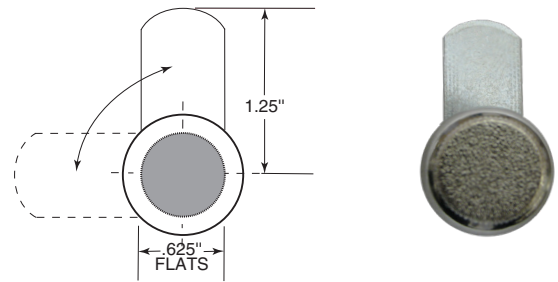
2892-36



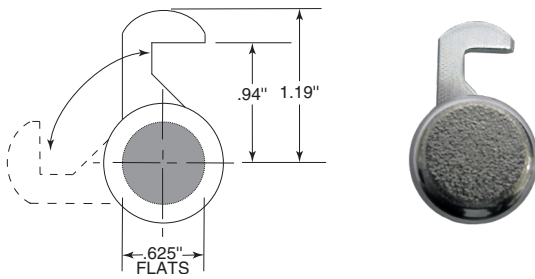
301-19



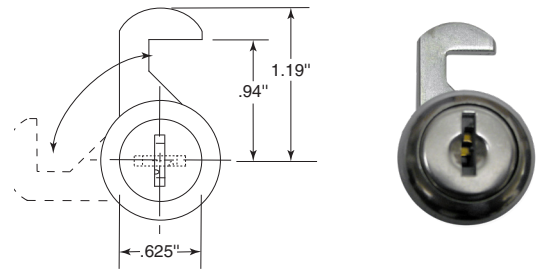
**314370-22
(Knob Latch)**



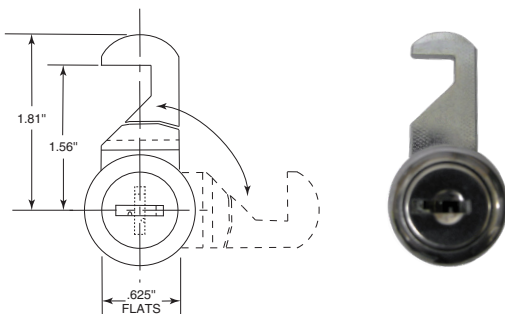
330-148 (Old Door Knob Latch)



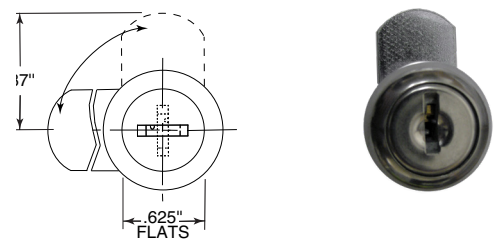
330-41 (Old Door)



3500-100 (Door)

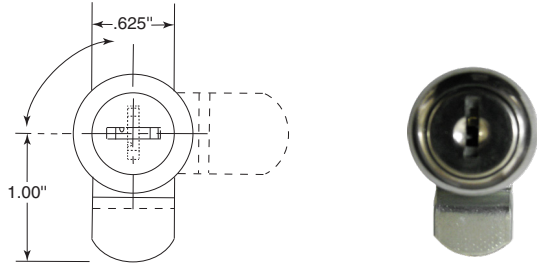


352-100

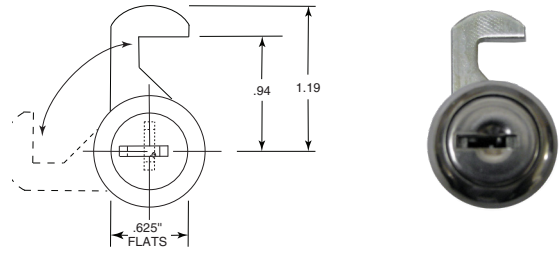


Lock & Key Reference Guide

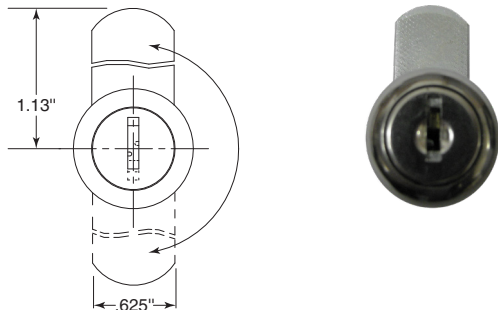
353-25



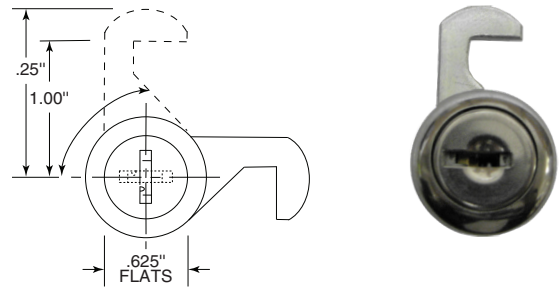
3706-144 (Coin Box)



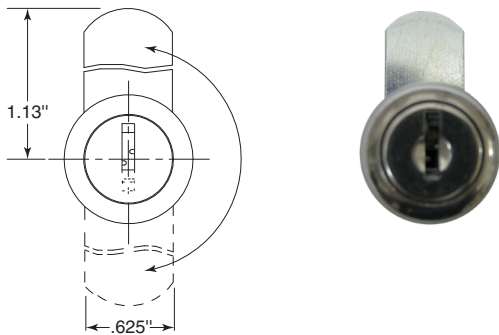
**3706-175
(Security Lock) CAT Key 118**



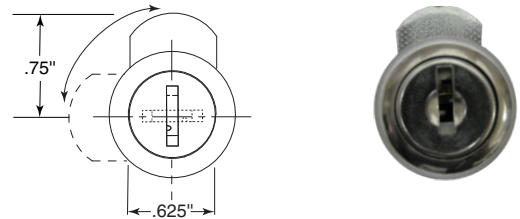
**38077-15
(Towel Dispenser)**



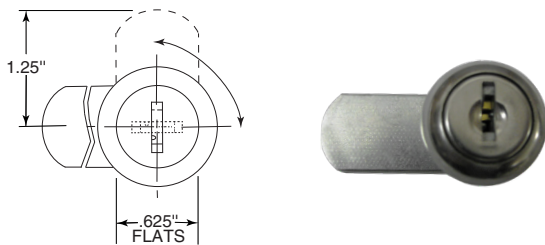
383257 (Door Lock)



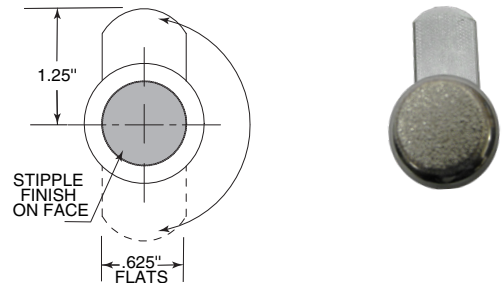
388-42



39003-21



3944-143 (Knob Latch)



| | |
|--|---|
| <p style="text-align: center;">3944-30 (New Door, Convertible)</p> | <p style="text-align: center;">3944-41 (Waste Receptacle)</p> |
| <p style="text-align: center;">4262-36</p> | <p style="text-align: center;">43500-24 (Door)</p> |
| <p style="text-align: center;">4369-20</p> | <p style="text-align: center;">4706-175 (Security Lock) CAT Key 118</p> |



BUILDING VALUE SINCE 1906

Lock & Key Reference Guide

| Discontinued Models | | Discontinued Models | |
|------------------------------|------------------------|-------------------------------|----------------------------|
| B-235 | 330-41 | B-364 | 3944-41 |
| B-267 | 360-48 | B-364077 | 3803-5 |
| B-2793 | 352-100 | B-3649 | 3944-41 |
| B-2800 | 2800-28 (upper) | B-3645 | 3944-41 |
| | 2800-48 (lower) | B-36503 Series ⁽²⁾ | 3803-5 |
| | 3500-58 (Coin Box) | B-366 Series | 305-19 |
| B-2801 | 234-51 (upper) | B-367 ⁽⁴⁾ | 3944-41 |
| | 2802X2-22 (lower) | B-36703 | 39003-21 |
| B-2802 Series | 234-51 (upper) | B-367077 | 3803-5 |
| | 2802X2-22 (lower) | B-368 ⁽⁴⁾ | 3944-41 |
| | 234-44 (Coin Box) | B-372 | 330-41 |
| B-282 ⁽³⁾ | 352-50 | B-376 | 288-122 |
| | 352-111 (Coin Box) | B-378 | 288-122 |
| B-288 | 288-122 | B-38074 | 38077-15 |
| B-2893 | 2892-36 | B-3807 | 38077-15 |
| B-3017 | 288-122 | B-3860 | 360-48 |
| B-304 | 301-19 | B-3861 | 360-48 |
| B-31903 | 330-41 | B-388 | 288-42 |
| B-31907 | 330-41 | B-3900 Series | 330-41 (Door) |
| B-3220 | 330-41 | | 3944-41 (Receptacle) |
| B-3226 | 330-41 | B-39007 | 38077-15 |
| B-323 | 330-41 | B-390074 | 38077-15 |
| B-330 Series | 330-41 | B-3950 | 305-19 |
| B-3300 | 330-41 | B-3960 | 360-48 (Towel Dispenser) |
| B-3301 | 330-41 | | 3944-41 (Waste Receptacle) |
| B-3302 | 330-41 | B-39603 | 39603-15 |
| B-332 | 330-41 | | 815049 (Knob Latch) |
| B-3330 | 330-41 | B-396034 | 815049 (Knob Latch) |
| B-3336 | 330-41 | B-39607 | 38077-15 |
| B-334 | 330-41 | B-43500 | 43500-24 |
| B-347 (Before May 1994) | 301-19 | B-4362 | 4369-20 |
| B-33007 | 330-41 | B-520 | 305-19 Door |
| B-3500 ⁽⁷⁾ | 3500-100 (upper) | | 3944-41 Receptacle |
| | 3500-99 (lower) | B-525 | 39003-21 |
| | 3500-58 (Coin Box) | B-52507 | 39003-21 |
| B-3502 Series ⁽²⁾ | 344-42 | B-52503 | 39003-21 |
| | 3502X2-22 (lower) | B-52860 | 52860-21 |
| | 234-44 (Coin Box) | B-590 | 330-41 Door |
| B-352 ⁽³⁾ | 352-50 | B-591 | 330-41 Door |
| | 352-111 (Coin Box) | B-930 | 305-19 |
| B-35907 | 38077-15 | | |
| | 314370-22 (Knob Latch) | | |
| B-357 (Before May 1994) | 301-19 (Seat Cover) | | |
| | 353-25 (Disposal) | | |
| B-360 Series | 305-19 (2 required) | | |
| B-360P | 305-19 (2 required) | | |
| B-36003 Series | 39003-21 (2 required) | | |
| B-360039 | 39003-21 (2 required) | | |
| B-361 | 330-41 | | |
| B-362 | 305-19 | | |
| B-36203 | 4063-16 | | |
| B-363 | 305-19 | | |

- (1) For added security, use 2800-101 (upper) and 2800-104 (lower); both keyed to CAT-118.
- (2) For added security, use 344-120; keyed to CAT-118.
- (3) For added security, use 352-120 (upper and lower); keyed to CAT-118.
- (4) Can be converted to knob latch with conversion kit P/N 360-142.
- (5) For added security, use 3706-175 keyed to CAT-118
- (6) For added security, use 4706-175 keyed to CAT-118
- (7) For added security, use 3500-101 (upper) and 3500-105 (lower); both keyed to CAT-118.

In the United States: BOBRICK WASHROOM EQUIPMENT, INC.

New York: 200 Commerce Drive, Clifton Park, NY 12065-1350 • Tel: (518) 877-7444 • Fax: (518)-877-5029
Los Angeles: 6901 Tujunga Ave, North Hollywood, CA 91605-6213 • Tel: (818) 982-9600 • Fax: (818)-503-9287
 or email customerservice@bobrick.com

In Canada: BOBRICK WASHROOM EQUIPMENT COMPANY

45 Rolark Drive, Scarborough, Ontario M1R 3B1 • **Eastern Canada:** Tel: (877) 423-6555 • Fax: (877) 423-8555
 • **Western Canada:** Tel: (877) 423-6444 • Fax: (877) 423-8444 or email customerservice@bobrick.com