



Technical Data

TrimLineSeries™ MAXIMUM HEIGHT HIGH PRESSURE LAMINATE PARTITIONS AND SCREENS WITH STAINLESS STEEL EDGES

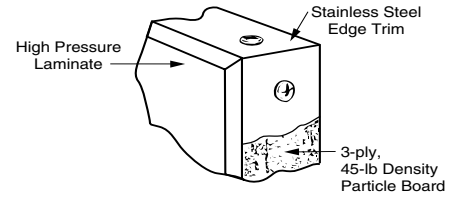
2030 SERIES

Specify Product Application:

- Toilet Partitions
- Dressing Compartments
- Urinal Screens
- Entrance Screens
- With Outswing Door

Specify Series Required:

- 2031 Series Floor-Anchored
- 2032 Series Overhead-Braced
- 2033 Series Post-to-Ceiling (Screens only)
- 2036 Series Floor-to Ceiling
- 2038 Series Ceiling-Hung for 8' 0" (244cm) Ceilings or as required up to 10' 0" (305cm) Ceilings



STANDARD-SIZE COMPONENTS:

Stiles: For compartments — 8", 10", 12", 16", 18", 20", or 24" (20, 25, 30, 41, 46, 51, or 61cm) wide; for screens — 6" (15cm) wide. Floor-anchored — 75-5/16" (194cm) high; overhead-braced — 83" (211cm) high; ceiling-hung — 83" (211cm) high for 8' 0" (244cm) ceilings or as required up to 10' 0" (305cm) ceilings.

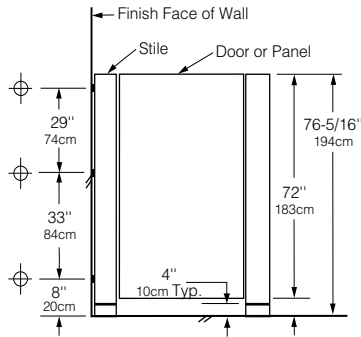
Doors: 72" (183cm) high. Inswing doors are standard for 22" to 37" (56–94cm) widths in whole-inch increments. Outswing^b doors are standard for 25" to 37" (64–94cm) widths in whole-inch increments.

Panels: For compartments — Up to 60" (152cm) wide; 72" (183cm) high. For ceiling-hung and post-to-ceiling screens — 24", 36", 48", or 60" (61, 91, 122, or 152cm) wide; 72" (183cm) high.

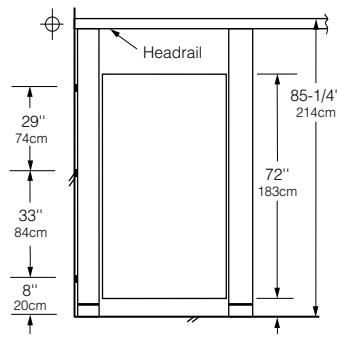
Posts: For 2033 Series post-to-ceiling screens only. 1-1/4" (3cm) square. 10 ft (305cm); cut to required height in field.

- ^a Minimum 8" (20cm) wide stile is required for all maximum-height compartments.
- ^b Use outswing doors to comply with local codes requiring access for physically disabled persons.

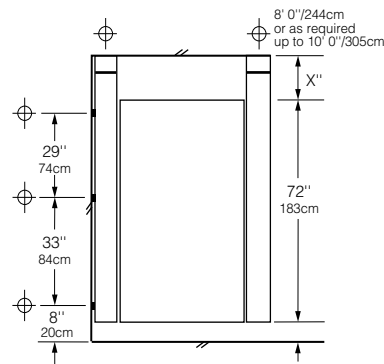
COMPARTMENT AND SCREEN ELEVATIONS



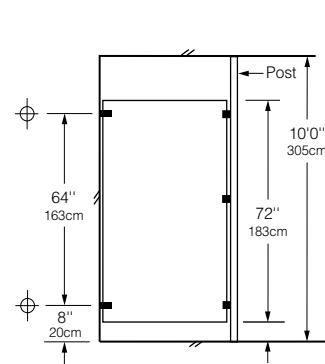
2031 Series Floor-Anchored 4-5/16" 11cm Min.



2032 Series Overhead-Braced 4-5/16" 11cm Min.



2038 Series Ceiling-Hung 4-5/16" 11cm Min.



2033 Series Post-to-Ceiling Screen 4-5/16" 11cm Min.

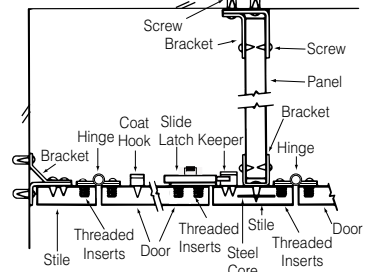
⊕ These mounting points require backing. For suggested backing methods, Bobrick Advisory Bulletins TB-32 for ceiling-hung installations and TB-46 for floor-anchored are available upon request.

TYPICAL HARDWARE DETAILS

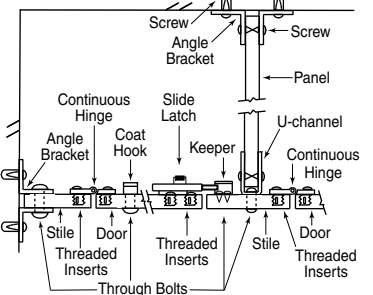
Standard gaps are provided at all walls and between components to allow for hardware attachment.

Wall gaps are standard 1/2" to 1"

Commercial Hardware (standard on all compartments)

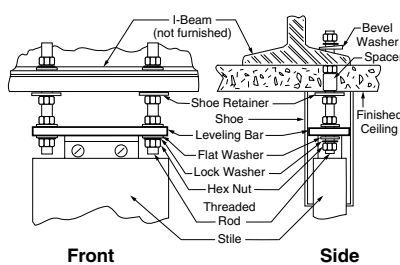


Continuous Hardware (.65 option)

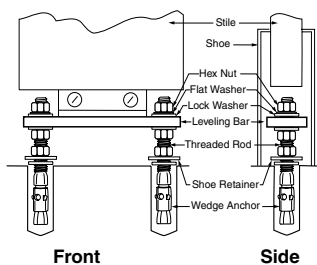


TYPICAL INSTALLATION DETAILS

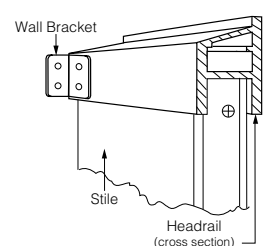
Ceiling Leveling Device



Floor Leveling Device



Overhead-Bracing



MATERIALS:

Stiles — 1" (25mm) finished thickness: 3-ply, 45-lb (20.4-kg) density, resin-impregnated particle board is bonded to each side of 11-gauge (3.2mm) sheet steel that serves as reinforcing core; surfaces are .050" (1.3mm) thick, high-pressure plastic laminate with colored face sheets and matte finish. Edges are routed to allow flush fit of edge trim. Edge trim is 18-8, Type-304 stainless steel channel with satin finish.

Leveling Device: 3/8" x 7/8" (10 x 22mm) steel bar is welded to sheet-steel core of stile, forming a single structural unit; furnished with 3/8" (10mm) diameter threaded rods, hex nuts, lock washers, flat washers, expansion shields, and shoe retainers.

Shoe: 18-8, Type-304, 22-gauge (0.8mm) stainless steel with satin finish; 4" (102mm) high.

Panels and Doors — 1" (25mm) finished thickness: 3-ply, 45-lb (20.4-kg) density, resin-impregnated particle board; surfaces are .050" (1.3mm) thick, high-pressure plastic laminate with colored face sheets and matte finish. Edges are routed to allow flush fit of edge trim. Edge trim is 18-8, Type-304 stainless steel channel with satin finish.

Posts (for 2033 Series screens only) — 1-1/4" (32mm) square tubing; 18-8, Type-304, 18-gauge (1.2mm) stainless steel with satin finish. Floor and ceiling connections are constructed of 18-8, Type-304, heavy-gauge stainless steel. Furnished in 10-ft (305-cm) lengths; to be cut in field to job specifications.

Headrail (for 2032 Series only) — Extruded anodized aluminum with satin finish. Enclosed construction with sloping top. Face has raised grip-resistant edge.

Designer's Notes: Headrails with integral curtain tracks and hooks are available for compartments without doors. Vinyl curtains are available as an optional accessory

Commercial Hardware (standard) — Hinges, door latches, door keepers, clothes hooks, mounting brackets and door handles are constructed of 18-8, Type-304, heavy-gauge stainless steel with satin finish. Threaded inserts are factory installed for securing hinges on doors and for securing door latch. Theft-resistant, stainless steel pin-in-head, torx screws are furnished for door hardware and all mounting brackets. Black rubber bumper on the latch serves as door bumper for inswing door. Balanced hinge is adjustable to hold door of unoccupied toilet compartment partially open or fully closed. Toilet compartment door is locked from inside by sliding door latch into keeper. A locked compartment may be opened from outside by lifting door to disengage latch from keeper. Track of door latch prevents inswing door from swinging out beyond stile; on outswing door, the door keeper prevents it from swinging in beyond stile. Door handles and latches have operable parts that are operable with one hand and do not require tight grasping, pinching, or twisting of the wrist; and comply with ADA Sections 404.2.7 and 309.4. The force required to activate the operable parts shall be 5 pounds (22.2N) maximum.

Continuous Hardware (.65 option) — Hinges, door latches, door keepers, clothes hooks, mounting brackets and door handles are constructed of 18-8, Type-304, heavy-gauge stainless steel with satin finish; one-piece, full-height hinge is 16 gauge (1.6mm); one-piece door keeper is 11 gauge (3.2mm); one-piece angle brackets. Angle brackets secure panels to stiles, secure panels and stiles to walls. Door latch slides on a shock-resistant nylon track. A locked compartment may be opened from outside by lifting door to disengage latch from keeper. Theft-resistant, stainless steel pin-in-head, torx screws are furnished for door hardware U-channels and angle brackets. Doors are equipped with a self-closing hinge. Threaded inserts are factory installed to secure door hinge and latch. Track of door latch prevents inswing door from swinging out beyond stile; on outswing door, the door keeper prevents it from swinging in beyond stile. Door handles and latches have operable parts that are operable with one hand and do not require tight grasping, pinching, or twisting of the wrist; and comply with ADA Sections 404.2.7 and 309.4. The force required to activate the operable parts shall be 5 pounds (22.2N) maximum.

To specify continuous hardware, add suffix .65 to series number. Example: specify 2042.65 for overhead-braced partitions furnished with continuous hardware, including factory-installed threaded inserts for door hardware attachment.

INSTALLATION:

Bobrick installation instructions are packed with each shipment and are available also in advance on request.

Notes:

1. Where water from showers or hose-down cleaning comes in contact with compartments, Bobrick 2080 Series water-resistant, solid phenolic compartments are recommended.
2. Ceiling-hung compartments require structural members (not furnished by Bobrick) in ceiling. For suggested types of ceiling support systems, see Bobrick Advisory Bulletin TB-32.
3. Wall backing is required to secure the mounting brackets of panels, stiles, and wall posts. For suggested wall backing, see Bobrick Advisory Bulletin TB-46.
4. Floor-anchored stiles are furnished with expansion shields and threaded rods. The expansion shields require minimum 2" (50mm) penetration into minimum 3" (75mm) thick structural concrete.
5. Bobrick stainless steel partition-mounted washroom accessories are available for mounting in panels between two compartments. See current Bobrick Catalog for description of accessories. Cutouts in panels can be pre-cut for Bobrick models at factory if location and size of all cutouts and Bobrick model numbers are furnished at time of order.
6. When the cam has been set at the desired free resting position, "either closed or open" the top of the affixed components will be aligned.

GUARANTEE:

The Bobrick toilet partition panels, doors and stiles are warranted for a period of 5 years against breakage, corrosion, delaminating and defects in workmanship from the date of purchase for the periods set forth (this limited warranty is conditioned on the toilet partitions being properly installed, used and serviced). Spraying down or hosing HPL partitions voids warranty. Any products returned to Bobrick under this guarantee will be repaired or replaced at no charge.

SPECIFICATION:

High pressure laminate _____ (insert one: toilet partitions, dressing compartments, urinal screens, entrance screens) shall be _____ (insert one: floor-anchored, overhead-braced, post-to-ceiling). Stiles, panels and doors shall have a finished thickness of 1" (25mm). Core of panels and doors shall be 3-ply, 45-lb (20.4-kg) density, resin-impregnated particle board. Stiles shall have 3-ply, 45-lb (20.4-kg) density, resin-impregnated particle board bonded to each side of 11-gauge (3.2mm) sheet steel that serves as reinforcing core. Stiles shall have leveling device that is welded to the sheet-steel core and concealed by a one-piece, Type-304, satin-finish stainless steel shoe that is 4" (100mm) high. Surfaces shall be .050" (1.3mm) thick, high-pressure laminate with colored face sheets and matte finish. Bonding shall be done using adhesives especially formulated to prevent delamination from moisture and heat normally existing in public washrooms. Edge trim shall be 18-8, Type-304 stainless steel channel with satin finish. Edges of stiles, panels and doors shall be routed to allow flush fit of edge trim. Stiles, panels and doors shall be _____ (insert color name and number from current Bobrick Catalog). Headrails for overhead-braced compartments shall be anodized aluminum with satin finish. All door hardware and mounting brackets shall be Type-304 stainless steel with satin finish. No door hardware or mounting brackets shall be exposed on exterior of compartments, except on outswing doors. Threaded inserts shall be factory installed for securing hinges on doors and for securing door latches. Theft-resistant, stainless steel pin-in-head, torx screws shall be furnished for door hardware and all mounting brackets. A clothes hook shall be furnished for each door. Hinges shall be adjustable to hold doors of unoccupied compartments partially open or fully closed, and shall allow a locked compartment to be opened from outside by lifting door to disengage latch from keeper.

**To specify continuous hardware, replace end of specification paragraph with: .65 option* All door hardware, U-channels, and angle brackets shall be Type-304 stainless steel with satin finish: one-piece, full-height hinges shall be 16 gauge (1.6mm); one-piece, door keepers shall be 11 gauge (3.2mm); one-piece, full-height U-channels and angle brackets shall be 18 gauge (1.2mm). U-channels shall be furnished to secure panels to stiles, and angle brackets furnished to secure panels and stiles to walls. Theft-resistant, stainless steel pin-in-head, torx screws shall be furnished for door hardware, U-channels, and angle brackets. Hinges shall allow locked compartment to be opened in emergency from outside by lifting door to disengage latch from keeper. Door shall be equipped with a self-closing hinge. Threaded inserts shall be factory installed to secure all door hinges and latches.

_____ (insert one: Toilet Partitions, Dressing Compartments, Urinal Screens, Entrance Screens) shall be _____ Series (insert series number) of Bobrick Washroom Equipment, Inc., Clifton Park, New York; Jackson, Tennessee; Los Angeles, California; Bobrick Washroom Equipment Company, Scarborough, Ontario; Bobrick Washroom Equipment Pty. Ltd., Australia; and Bobrick Washroom Equipment Limited, United Kingdom.