

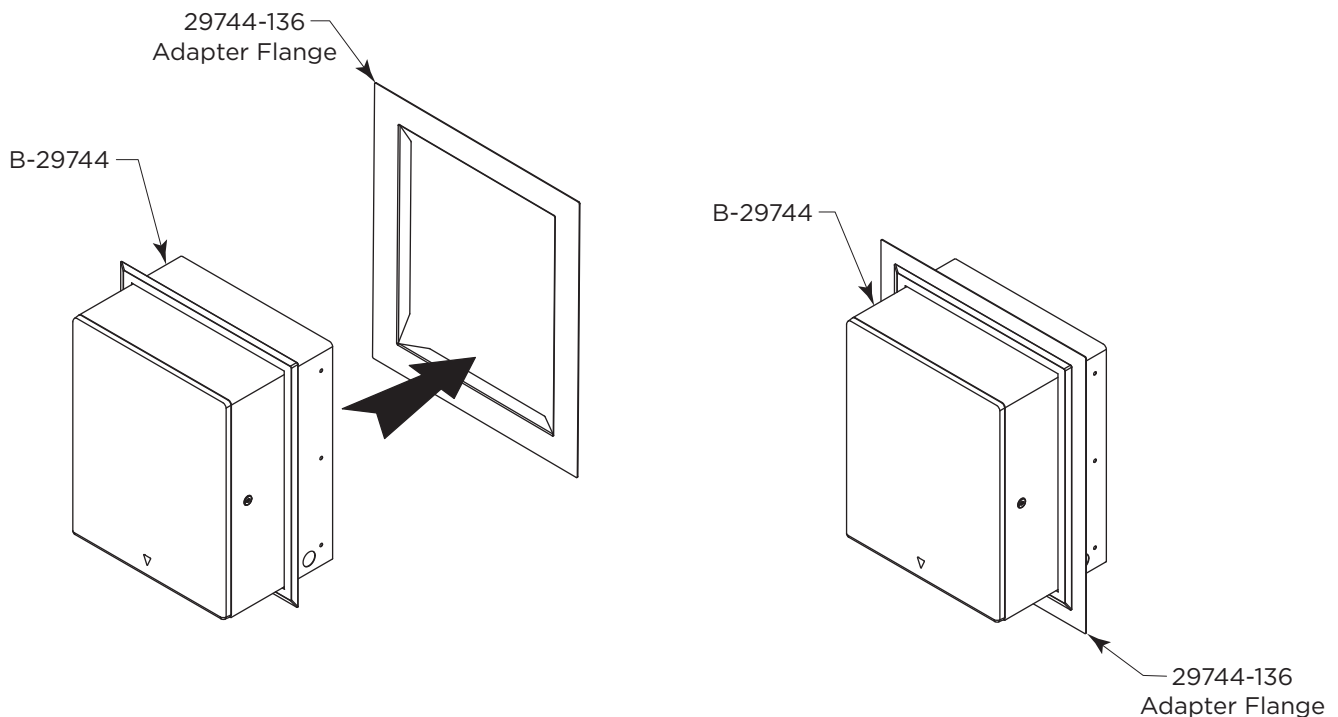
INSTALLATION INSTRUCTIONS FOR ADAPTER FLANGE KIT BOBRICK NO. 29744-135

FOR USE WITH BOBRICK B-29744 SEMI-RECESSED AUTOMATIC, UNIVERSAL ROLL PAPER TOWEL DISPENSER

Adapter Flange Kit, Bobrick Part No. 29744-135 allows for recessing Bobrick B-29744 Semi-Recessed Automatic, Universal Roll Paper Towel Dispenser, Series D into pre-existing wall openings made for the B-29744 Series A, B or C. The rough wall opening for the new Bobrick B-29744 Semi-Recessed Automatic, Universal Roll Paper Towel Dispenser, Series D is 13" wide x 16" high (330mm x 410mm) x 4" deep (100mm).

1. Permanently shim the existing opening in the wall as required so that new cabinet will be centered in the 16" wide x 18-7/8 high x 4" deep existing wall opening. Ensure that the shims are secured and that they line up with the mounting holes in the right and left sides of the cabinet. The new rough wall opening dimension will be 13" wide x 16" high x 4" deep.
2. Slide the 29744-136 Adapter Flange over the B-29744.
3. Slide the assembled B-29744 with the 29744-136 Adapter Flange into the wall opening.
4. Screw the B-29744 securely into the wall using the .22 diameter mounting holes on each side of the B-29744 cabinet.

Note: Autoroll towel module can be removed and reinstalled for cabinet installation.



In the U.S.A.: BOBRICK WASHROOM EQUIPMENT, INC.

Los Angeles: 6901 Tujunga Ave., North Hollywood, CA 91605-6213; Tel: (818) 982-9600, Fax: (818) 503-1102
New York: 200 Commerce Drive, Clifton Park, NY 12065-1350; Tel: (518) 877-7444, Fax: (518) 877-5029,
or e-mail: customerservice@bobrick.com

In Canada: BOBRICK WASHROOM EQUIPMENT COMPANY

45 Rolark Drive, Scarborough, Ontario M1R 3B1 • Eastern Canada: Tel: (877) 423-6555, Fax: (877) 423-8555
• Western Canada: Tel: (877) 423-6444 • Fax: (877) 423-8444 or e-mail: customerservice@bobrick.com

**REPLACEMENT PARTS
FOR BOBRICK UNIVERSAL AUTOMATIC ROLL TOWEL DISPENSERS
B-3974, B-3979, B-39747, B-2974 AND B-29744**

Part No.	Description
3974-350	Convertible Automatic, Universal Roll Paper Towel Dispenser Module Assembly with Carton
3974-151	Door Replacement Kit
3974-57	AC Adapter Kit
3974-55	AC Adapter Kit (International)
3974-163	Arm Set (Left and Right)
2974-100	Lock & Key (Door)
3944-41	Lock & Key (Waste Receptacle)
3949-57	4" Skirt for Surface Mounting
3974-359	Module replacement, with arms and backplate
3974-85	Retrofit Kit
2974-151	Door Replacement Kit
29744-135	Adapter Flange Kit
3974-280	Retrofit for IR Sensor w/ Module and PCB



In the U.S.A.: BOBRICK WASHROOM EQUIPMENT, INC.

Los Angeles: 6901 Tujunga Ave., North Hollywood, CA 91605-6213; Tel: (818) 982-9600, Fax: (818) 503-1102
New York: 200 Commerce Drive, Clifton Park, NY 12065-1350; Tel: (518) 877-7444, Fax: (518) 877-5029,
or e-mail: customerservice@bobrick.com

In Canada: BOBRICK WASHROOM EQUIPMENT COMPANY

45 Rolark Drive, Scarborough, Ontario M1R 3B1 • Eastern Canada: Tel: (877) 423-6555, Fax: (877) 423-8555
• Western Canada: Tel: (877) 423-6444 • Fax: (877) 423-8444 or e-mail: customerservice@bobrick.com