



## Technical Data

# DuraLineSeries<sup>®</sup>

## Compact Grade Laminate Extended Privacy Partitions

# 3080.G67P SERIES

### MATERIAL STANDARD:

**Stiles, Panels and Doors** — Stiles and doors are 3/4" (19mm) thick, panels are 1/2" (13mm) thick solidly fused plastic laminate with matte-finish melamine surfaces, colored face sheets, and black phenolic-resin core that are integrally bonded. Edges are black.

**Leveling** — 3/16" (5mm) thick, corrosion-resistant, chromate-treated, double zinc-plated steel angle leveling bar bolted to stile; furnished with 3/8" (10mm) diameter threaded rods, hex nuts, lock washers, flat washers, spacer sleeves, expansion anchors, and shoe retainers.

**Inserts** — Factory-installed metal-to-metal contact. Vandal-resistant Pin-in-head Torx Screws.

**Gapless Privacy** — No sightlines with gap-free interlocking doors and stiles routed 0.3 inches (7.6mm) from the edge to allow for overlap.

### MATERIALS OPTION:

**Class A Option** — Units fabricated with FunderMax<sup>®</sup> Compact Grade Laminate (CGL) will meet ICC, NFPA Class A, ASTM E-84 Interior Wall and Ceiling Finish Classification: flame spread 25, smoke developed 90.

### CONFIGURATION:

Overhead-Braced (OB), Floor-to-Ceiling (FC)

### HEIGHT:

**Door and Panel** — Extended Privacy (E) 73" (1854mm) to 96" (2438mm) with 1" (25.4mm) floor clearance and 1" (25.4mm) minimum clearance from headrail.

### HARDWARE STANDARD:

**Headrail** — Overhead-Braced (OB) extruded anodized aluminum with satin finish. Enclosed construction with sloping top. Face has raised grip-resistant edge.

**Door and Mounting Hardware** — Door keepers, coat hooks, and mounting brackets are constructed 18-8, Type-304, heavy-gauge stainless steel with satin finish.

**Shoe** — 18-8, Type-304, 22-gauge (0.8mm) stainless steel with satin finish; 4" (102mm) high. Patented one-piece shoe is open-ended, and may be mounted blind against wall using shoe clip fastener on wall side.

**Occupancy Indicator Latch** — Bobrick (#1002612) indicator latch with emergency access feature. Latch to be drilled on site.

**Barrel Hinges** — Four (4) Barrel-type hinges with adjustable cam for fully closed or partially open.

**Continuous Panel Bracket** — One-piece, full-height U-channel and angle bracket are 18 gauge (1.2mm).

### INSTALLATION:

Bobrick installation instructions are packed with each shipment. Available in advance upon request or online at [www.bobrick.com](http://www.bobrick.com).

### GUARANTEE:

Bobrick toilet partition panels, doors and stiles are warranted for a period of 25 years against breakage, corrosion, delaminating and defects in workmanship from the date of purchase for the periods set forth (this limited warranty is conditioned on the toilet partitions being properly installed, used and serviced). Any products returned to Bobrick under this guarantee will be repaired or replaced at no charge.

### SPECIFICATION:

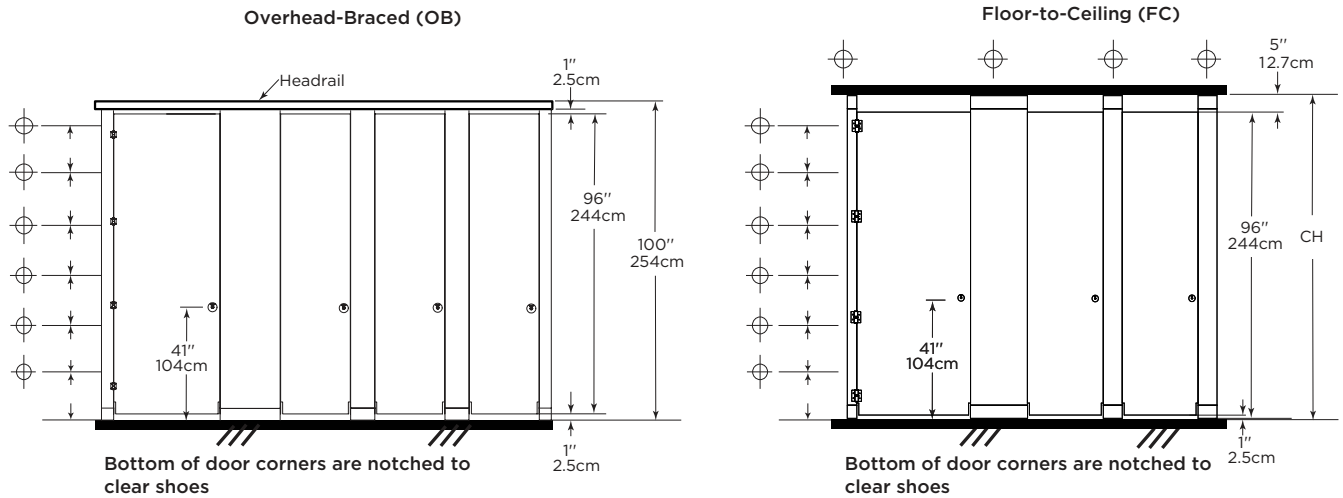
Compact Grade Laminate (CGL) shall be \_\_\_\_\_ (insert configuration OB, FC). Stiles, panels and doors shall be constructed of solidly fused plastic laminate with matte-finish melamine surfaces, colored face sheets, and black phenolic-resin core that are integrally bonded; and covered by a 25-year limited warranty against breakage, corrosion, and delamination.

Stiles and doors shall be 3/4" (19mm) thick and feature Gapless Privacy interlocking edges; panels shall be 1/2" (13mm) thick. All units shall meet ICC, NFPA Class B, ASTM E-84 Interior. Wall and Ceiling Finish Classification: flame spread 30, smoke development 55. Stiles shall have leveling device that is concealed by a one-piece, Type-304, satin-finish stainless steel shoe that is 4" (102mm) high. Stiles, panels and doors shall be \_\_\_\_\_ (insert color name and number from current Bobrick Catalog). Headrails for overhead-braced compartments shall be anodized aluminum with satin finish.

Occupancy indicator latch to be Bobrick (#1002612). Toilet compartment door is locked from inside by sliding door latch into keeper. A locked compartment may be opened from outside by rotating slotted center on the indicator to disengage latch from keeper. Combination coat hook and bumper reduces damage from door inside compartment.

## PARTITION ELEVATIONS

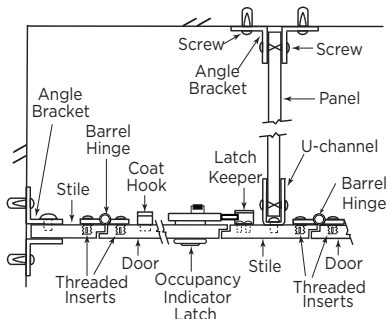
To identify the wall backing location, enter the Door Height here:



⊕ These mounting points require wall backing. For suggested backing and mounting methods refer to Bobrick Advisory Bulletin TB-46 (available on the website).

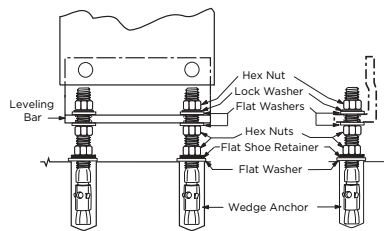
## HARDWARE DETAILS

### Standard Hardware

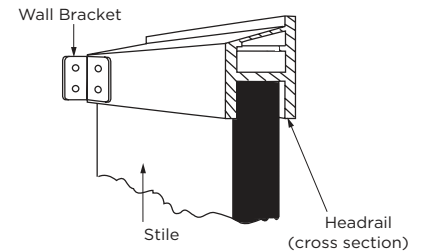


## TYPICAL INSTALLATION DETAILS

### Floor Leveling Device



### Headrail (OB)



## NOTES:

1. Where water from showers or hose-down cleaning comes in contact with partitions, Bobrick CL partitions are recommended.
2. Wall backing is required to secure the mounting brackets of panels, stiles, and wall posts. For suggested wall backing, see Bobrick Advisory Bulletin TB-46.
3. Bobrick stainless steel partition-mounted washroom accessories are available for mounting in panels between two compartments. See current Bobrick Restroom Accessory Catalog for description of accessories. Cutouts in panels can be pre-cut for Bobrick models at factory if location and size of all cutouts and Bobrick model numbers are furnished at time of order.
4. When the cam has been set at the desired free resting position, "either closed or open" the top of the affixed components will be aligned.

**Compact Grade Laminate (CGL) Extended Privacy Partitions \_\_\_\_\_ (insert configuration OB, FC) of Bobrick Washroom Equipment, Inc., Clifton Park, New York; Jackson, Tennessee; Los Angeles, California; Bobrick Washroom Equipment Company, Scarborough, Ontario; Bobrick Washroom Equipment Pty. Ltd., Australia; and Bobrick Washroom Equipment Limited, United Kingdom.**