

INSTRUCTIONS FOR REPLACING 3974-250, AUTOMATIC UNIVERSAL ROLL TOWEL DISPENSER MODULE
BOBRICK MODELS B-3974, AND B-3979 CONVERTIBLE AUTOMATIC ROLL TOWEL DISPENSER AND WASTE RECEPTACLE

REMOVING EXISTING MODULAR HOUSING ASSEMBLY

1. Unlock and open the door of the Modular Housing Assembly.
2. Remove the paper towel roll if applicable.
3. Loosen but do not remove the Washer Lock Nuts located on the left and right sides of the Modular Housing Assembly until the Carriage Bolt can be moved. The Hex Lock Nut should not be removed from the Carriage Bolt, ensuring that the Carriage Bolt will not fall into the wall cavity. (See Figure 1)
4. Remove the mounting hardware, the Carriage Bolt with the Washer Lock Nut, by sliding them toward the hole until the head of the carriage bolt can move through the round portion of the keyhole slot. Put aside, four places.
5. Repeat Steps 3 and 4 for the mounting screws at the top of the Modular Housing Assembly while holding the Housing in place with one hand.
6. Carefully remove the housing from the cabinet.

TOOL REQUIRED TO REMOVE LOCK NUT

TOOL NAME	TOOL SIZE
Socket, open end or box end wrench	3/8"

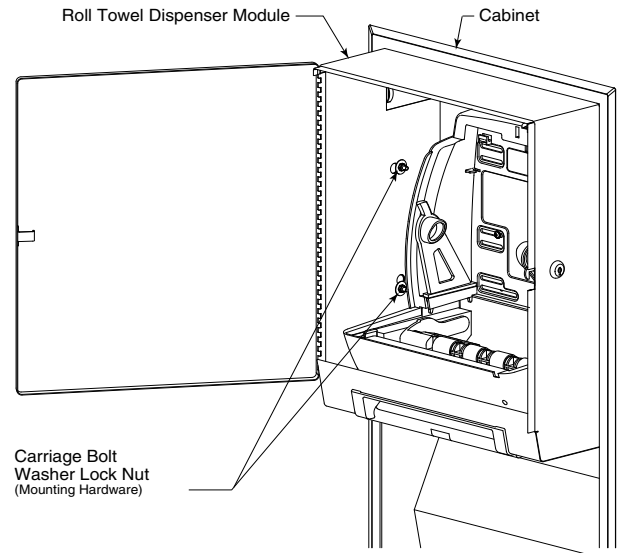


Figure 1

INSTALLING NEW MODULAR HOUSING ASSEMBLY

1. Unlock and open the door of the Modular Housing Assembly.
2. Carefully slide new Modular Housing Assembly into the cabinet and support it from underneath with one hand. (See Figure 2)
3. Insert one set of mounting hardware, the Carriage Bolt with the Washer Lock Nut, into the round portion of the upper right or left side keyhole slot from the inside of the housing with the head of the Carriage Bolt going in first. Position the square shoulder of the Carriage Bolt so that it is parallel with the straight sides of the keyhole slot and slide the entire assembly as far over as it will go. The square shoulder of the Carriage Bolt should be in contact with the end of the rectangular portion of the key slot to ensure proper seating of the mounting hardware. (See Figures 3 & 4)
4. Tighten down the Washer Lock Nut with a wrench. The mounting hardware should not move when tugged and the Modular Housing Cabinet should be tight to the cabinet. Do Not overtighten the washer lock nuts.
5. Install the rest of the mounting hardware as described in steps 3 & 4 for the other keyhole slots.

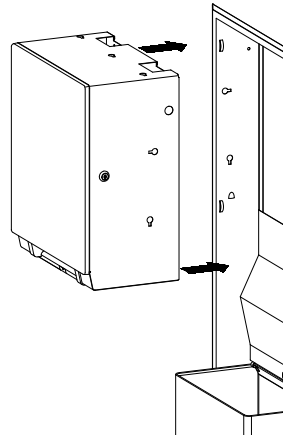


Figure 2

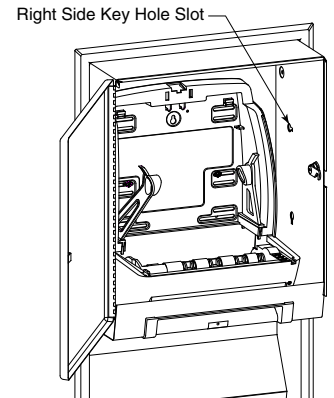


Figure 3

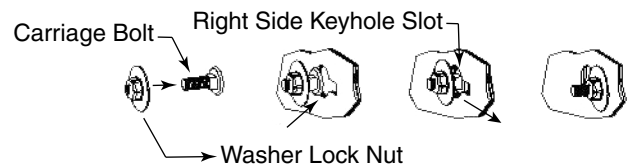


Figure 4

NOTE: Waste capacity of these units can be changed by ordering Bobrick part numbers:
367-60 (12-Gallon Waste Receptacle Module)
368-60 (18-Gallon Waste Receptacle Module)



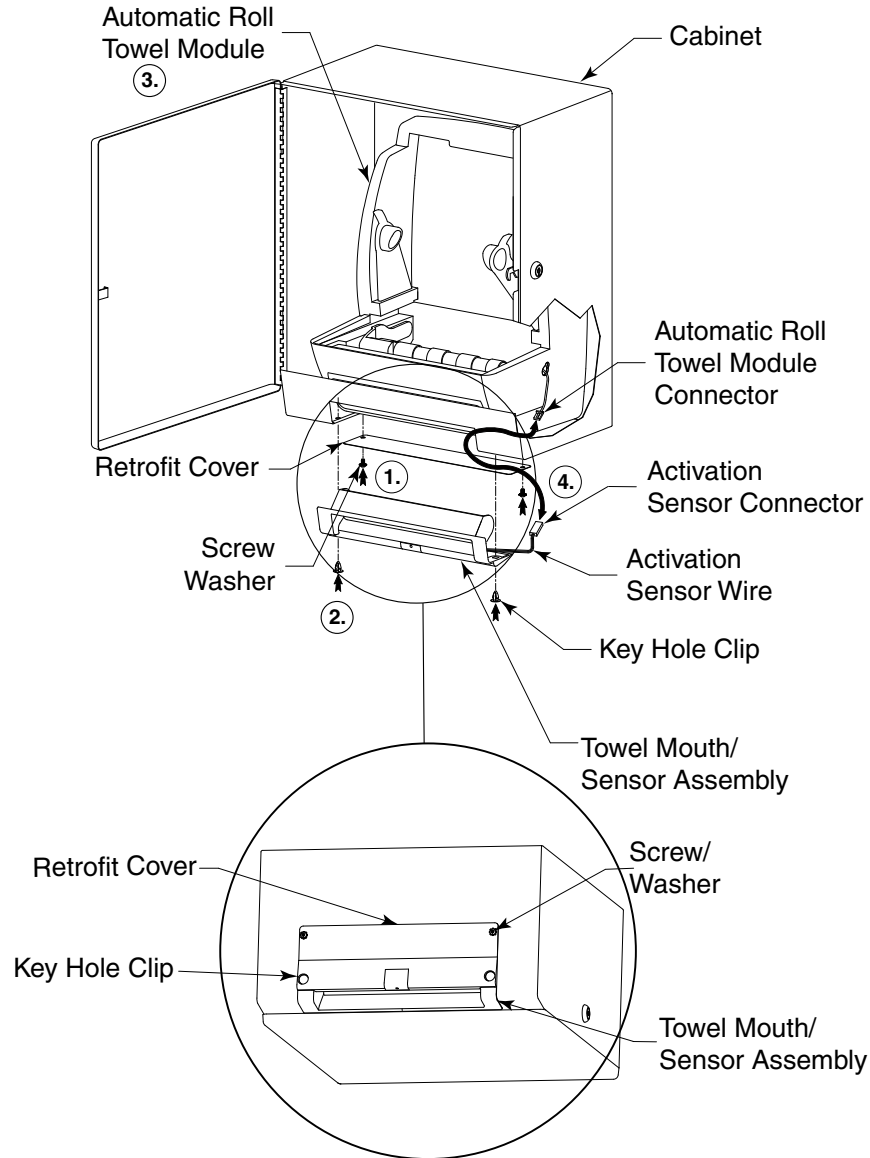
In the U.S.A.: BOBRICK WASHROOM EQUIPMENT, INC.

Los Angeles: 6901 Tujunga Ave., North Hollywood, CA 91605-6213; Tel: (818) 982-9600, Fax: (818) 503-1102
New York: 200 Commerce Drive, Clifton Park, NY 12065-1350; Tel: (518) 877-7444, Fax: (518) 877-5029,
or e-mail: customerservice@bobrick.com

In Canada: BOBRICK WASHROOM EQUIPMENT COMPANY

45 Rolark Drive, Scarborough, Ontario M1R 3B1 • Eastern Canada: Tel: (877) 423-6555, Fax: (877) 423-8555
• Western Canada: Tel: (877) 423-6444 • Fax: (877) 423-8444 or e-mail: customerservice@bobrick.com

REPLACEMENT FOR AUTOMATIC ROLL TOWEL MODULE AND (For units without external LED light) Using 3974-280 Retrofit Kit (Series "A" to "C")



Remove the existing Automatic Roll Towel Module and the Towel Mouth.

- ① Attach Retrofit Cover to the bottom of the Cabinet using provided Screws and Lock Washers.
- ② Install Towel Mouth/Sensor Assembly by using Key Hole Clips. Towel Mouth should overlap Retrofit Cover slightly with the Activation Sensor Connector and Wire placed inside the Cabinet.

Take care at all times to not pinch the Activation Sensor Wire.

- ③ Install the new Automatic Roll Towel Module in cabinet using Screws and Lock Washers. Ensure that all screws are securely installed.
- ④ Connect the Automatic Roll Towel Module Connector to the Activation Sensor Connector.



In the U.S.A.: BOBRICK WASHROOM EQUIPMENT, INC.

Los Angeles: 6901 Tujunga Ave., North Hollywood, CA 91605-6213; Tel: (818) 982-9600, Fax: (818) 503-1102
 New York: 200 Commerce Drive, Clifton Park, NY 12065-1350; Tel: (518) 877-7444, Fax: (518) 877-5029,
 or e-mail: customerservice@bobrick.com

In Canada: BOBRICK WASHROOM EQUIPMENT COMPANY

45 Rolark Drive, Scarborough, Ontario M1R 3B1 • Eastern Canada: Tel: (877) 423-6555, Fax: (877) 423-8555
 • Western Canada: Tel: (877) 423-6444, Fax: (877) 423-8444 or e-mail: customerservice@bobrick.com

INSTRUCTIONS FOR CONVERTING

B-3974, B-39747, B-3979, B-2974, B-29744 AND B-72974 FROM BATTERIES TO AC POWER

WITH 3974-57, AC ADAPTER KIT (DOES NOT INCLUDE INTERCHANGEABLE PLUGS FOR U.K., EUROPE, AND AUSTRALIA. IF NEEDED, ORDER AC ADAPTER KIT, PART. NO. 3974-55 TO FIT CORRESPONDING PLUG)

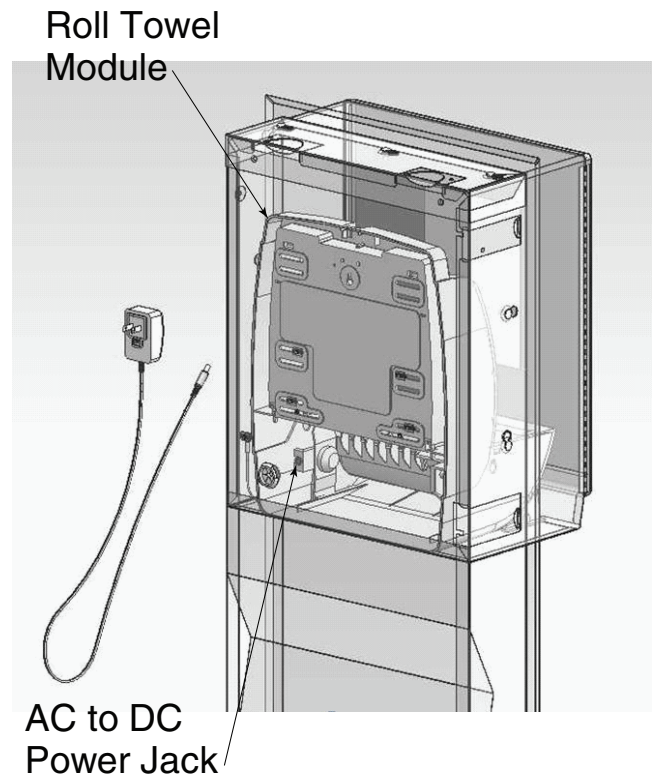
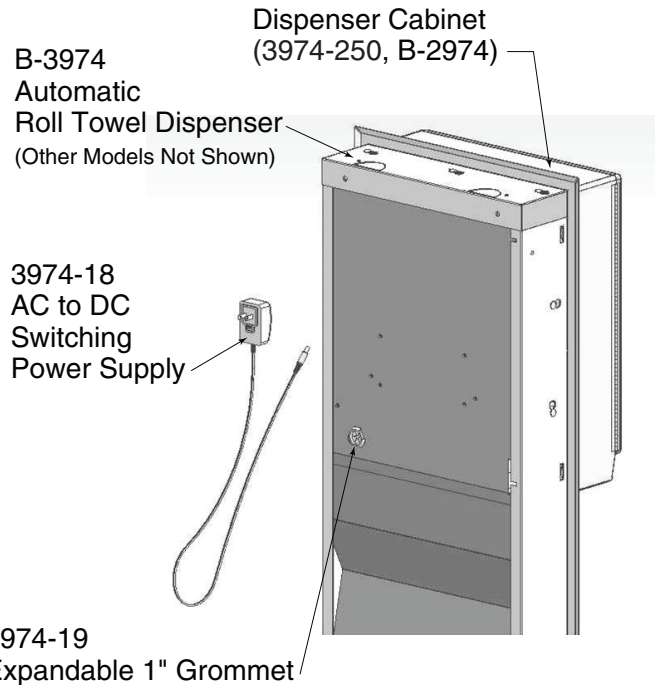
Bobrick Part Number 3974-57, AC Adapter Kit includes:

- 3974-18 AC to DC Switching Power Supply
- 3974-19 Expandable 1" Grommet
- 3974-20 U.S. AC Adapter Plug

(Note: Other materials may be required for proper installations such as rubber hole grommets, cable ties, conduit, etc.)

This kit is supplied with a cULus, CE, GS listed, double insulated AC to DC switching power supply. The power supply is equipped with a 117" (2971.8 mm) low voltage outlet cord terminated with a barrel connector for attachment with a mating jack located in the dispenser. The power supply is equipped with an interchangeable standard 2 pole NEMA plug intended for direct mounting into a standard 120V NEMA duplex outlet. For warranty purposes, it is required that the power converter must plug into an AC outlet that is not accessible to the dispenser user. If not available, consult a licensed electrical contractor. The power supply output is to be routed through the mounting wall as a low voltage, energy limited circuit, similar to a thermostat wire, with no requirement for electrical box or attachment strain relief. Use only the power supply supplied with this unit. Any substitution could damage the unit and will void any warranty.

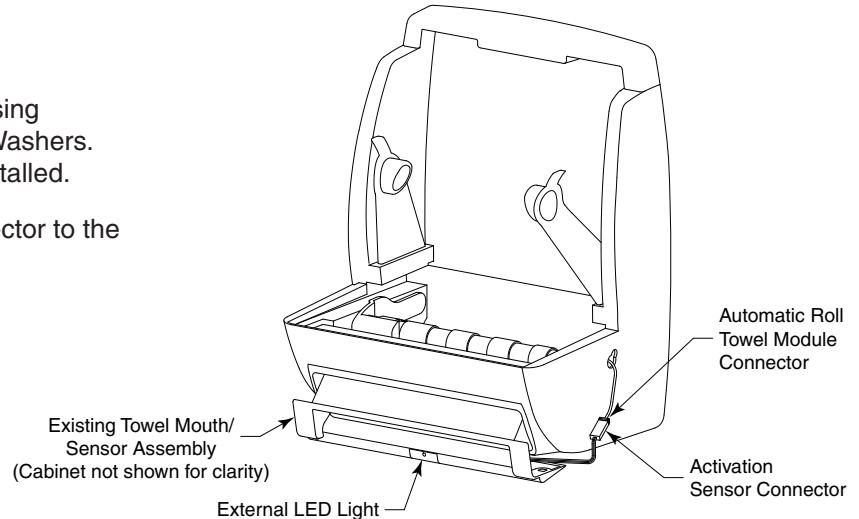
1. Unlock and open the door of the Dispenser Cabinet Assembly. Remove any batteries that are in the unit.
2. Locate the 1" access hole in the back of the cabinet behind the AC to DC power jack and install the 3974-19 Expandable 1" Grommet.
3. Locate or provide an AC outlet that is not accessible to the dispenser user.
4. See a qualified, licensed electrician for the proper installation of a standard 120V NEMA duplex outlet, if one is required, and for the proper routing of the 3974-18 AC to DC Switching Power Supply. The installation must comply with local building code. **DO NOT BRING HIGH VOLTAGE POWER INTO THE CABINET FOR ANY REASON.**
5. Route the power converter cord through the hole in the 3974-19 Expandable 1" Grommet and plug the barrel plug end of the 3974-18 AC to DC Switching Power Supply into the AC to DC power jack in the Roll Towel Module. If necessary, the cord can be brought into the Dispenser Cabinet from the top or the side of the cabinet by drilling a 1/2" to 1" hole.
6. Take care to protect the cord from any edges of the stainless steel cabinet.
7. No extra cord length should be accessible inside the cabinet. Extra cord should be stored in a location inaccessible to the dispenser user.
8. Mount or remount the unit onto or into the wall making sure the cord is not pinched or damaged.
9. Plug 3974-18 AC to DC Switching Power Supply into an outlet and allow 30 seconds for the unit to calibrate. The indicator light will flash to show that the unit is receiving the power.



REPLACEMENT FOR AUTOMATIC ROLL TOWEL MODULE (For units with external LED light)

Install the new Automatic Roll Towel in cabinet using provided 5262-133 Screws and 43944-75 Lock Washers. Ensure that all 5262-133 screws are securely installed.

Connect the Automatic Roll Towel Module Connector to the Activation Connector.



© 2016 by Bobrick Washroom Equipment, Inc.
Form No. 3974-79 Rev. 5/11/16 Printed in U.S.A.

In the U.S.A.: BOBRICK WASHROOM EQUIPMENT, INC.

Los Angeles: 6901 Tujunga Ave., North Hollywood, CA 91605-6213; Tel: (818) 982-9600, FAX: (818) 503-1102
New York: 200 Commerce Drive, Clifton Park, NY 12065-1350; Tel: (518) 877-7444, FAX: (518) 877-5029,
or e-mail: customerservice@bobrick.com

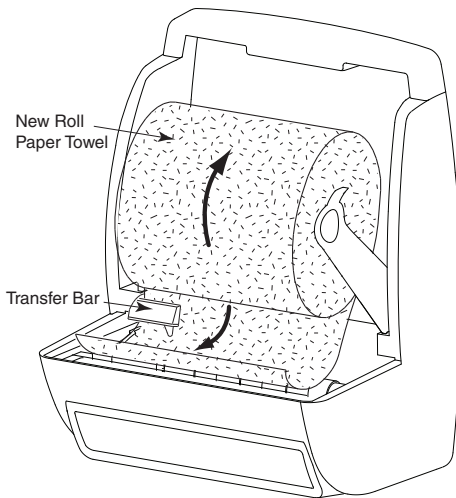
In Canada: BOBRICK WASHROOM EQUIPMENT COMPANY

45 Rolark Drive, Scarborough, Ontario M1R 3B1 • Eastern Canada: Tel: (877) 423-6555
• FAX: (877) 423-8555 • Western Canada: Tel: (877) 423-6444 • FAX: (877) 423-8444

AUTOMATIC UNIVERSAL ROLL TOWEL DISPENSERS AND WASTE RECEPTACLES

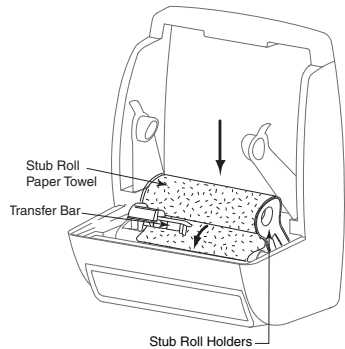
Roll Towel Loading Instructions

Loading New Roll - without stub roll

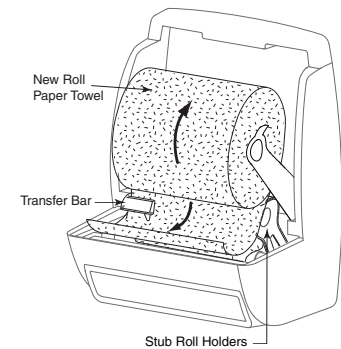


Install new roll paper towel with tail of paper under transfer bar. DO NOT tuck transfer bar into paper allow transfer bar to rest on new roll.

Loading New Roll - with stub roll feature

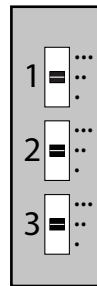


Carefully remove stub roll, ensuring paper is under the transfer bar. Insert stub roll into stub roll holders in the bottom of dispenser.



Install new roll paper towel with the tail of paper under transfer bar. When stub roll is completely used, new roll paper towel will automatically dispense.

SWITCH SETTINGS - LOCATED ON RIGHT HAND SIDE OF MODULE



PAPER SAVER / ECONOMICO / ECONOMIQUE / DIE SPARSAMKEIT

- 1 ... MAX / MAX / MAX / MAX
 .. OFF / APAGADO / ÉTEINT / AUS
 . MIN / MIN / MIN / MIN

- 2 ... NOT APPLICABLE FOR THIS UNIT / NO ESTÀ DISPONIBLE
 .. PARA ESTA MODELO / NON APPLICABLE POUR CE
 . PRODUIT / NICHT VERFÜGBAR FÜR DIESES MODELL

LENGTH / TAMANO / LONGUEUR / LÄNGE

- 3 ... LONG / LARGO / LONG / LÄNGE
 .. MEDIUM / MEDIO / MOYEM / MEDIUM
 . SHORT / CORTO / COURT / KURZ

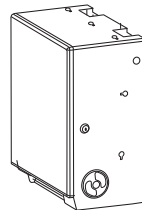
FULLY RECESSED COMBINATION TOWEL AND WASTE MODELS ARE CONVERTIBLE! *

To Convert From Automatic Roll Towels to Touch-Free Roll Towels or Folded Towels

Order Part No. 3961-50 (Touch-Free Universal Roll Towel Dispenser Module) or Order Part No. 3944-52 (Folded Towel Dispenser Module)

Order and Install

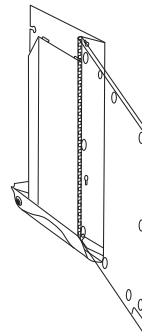
3961-50
 Mechanical
 Touch-Free
 Universal
 Roll Towel
 Dispenser
 Module



or

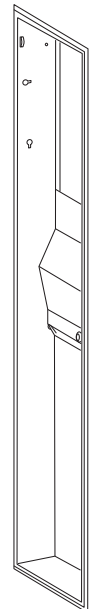
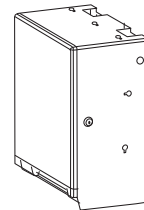
Order and Install

3944-52
 Folded Towel
 Dispenser
 Module



Remove

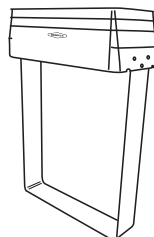
3974-150
 Automatic
 Universal
 Roll Towel
 Dispenser
 Module



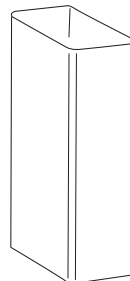
Waste Receptacle Accessory Item:

Order

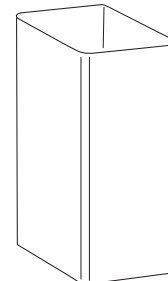
3944-134
 LinerMate
 (Available
 for 12-gal.
 waste only)



367-60
 12-Gallon
 Waste
 Receptacle
 Module



368-60
 18-Gallon
 Waste
 Receptacle
 Module



* Does not apply to B-2974 Surface Mounted or B-29744 Semi-Recessed Automatic Universal Roll Towel Dispenser. The Waste capacity on this model can be changed. By ordering Part No. 367-60 (12-Gallon Waste Receptacle Module) or 368-60 (18-Gallon Waste Receptacle Module). LinerMate Part No. 3944-134, available for 12-gal. waste only is sold as optional accessory to accommodate disposal trash liners. LinerMate eliminates unsightly trash liner overhang and facilitates installation and removal of disposable trash liners.



In the U.S.A.: BOBRICK WASHROOM EQUIPMENT, INC.

200 Commerce Drive, Clifton Park, New York 12065-1350 • Tel: (518) 877-7444 • FAX: 518-877-5029
 6901 Tujunga Avenue, North Hollywood, California 91605-6213 • Tel: (818) 982-9600 • FAX: 818-503-9287

In Canada: BOBRICK WASHROOM EQUIPMENT COMPANY

45 Rolark Drive, Toronto, Ontario M1R 3B1 • Eastern Canada: Tel: (877) 423-6555 • FAX: (877) 423-8555
 • Western Canada: Tel: (877) 423-6444 • FAX: (877) 423-8444

**REPLACEMENT PARTS
FOR BOBRICK UNIVERSAL AUTOMATIC ROLL TOWEL DISPENSERS
813061, B-3942, B-3944, B-3947, B-3974, B-3979,**

Part No.	Description
3974-250	Convertible Automatic, Universal Roll Paper Towel Dispenser Module Assembly with Carton
3974-51	Door Replacement Kit
3974-57	AC Adapter Kit
3974-55	AC Adapter Kit (International)
3974-63	Arm Set (Left and Right)
3974-280	Kit to retrofit Series A units (without the LED) to Series C (with LED)
2974-51	Door Replacement Kit for B-2974, and B-29744
3500-100	Lock & Key (Door)
3944-41	Lock & Key (Waste Receptacle)
3942-57	2" Skirt for Semi Recessing
3949-57	4" Skirt for Surface Mounting



BUILDING VALUE SINCE 1906

© 2020 by Bobrick Washroom Equipment, Inc.
Form No. RP-Universal Auto RTD r2/18/20 Printed in U.S.A.

In the United States: BOBRICK WASHROOM EQUIPMENT, INC.

New York: 200 Commerce Drive, Clifton Park, NY 12065-1350 • Tel: (518) 877-7444 • Fax: (518)-877-5029
Los Angeles: 6901 Tujunga Ave, North Hollywood, CA 91605-6213 • Tel: (818) 982-9600 • Fax: (818)-503-9287
or email customerservice@bobrick.com

In Canada: BOBRICK WASHROOM EQUIPMENT COMPANY

45 Rolark Drive, Scarborough, Ontario M1R 3B1 • **Eastern Canada:** Tel: (877) 423-6555 • Fax: (877) 423-8555
• **Western Canada:** Tel: (877) 423-6444 • Fax: (877) 423-8444 or email customerservice@bobrick.com