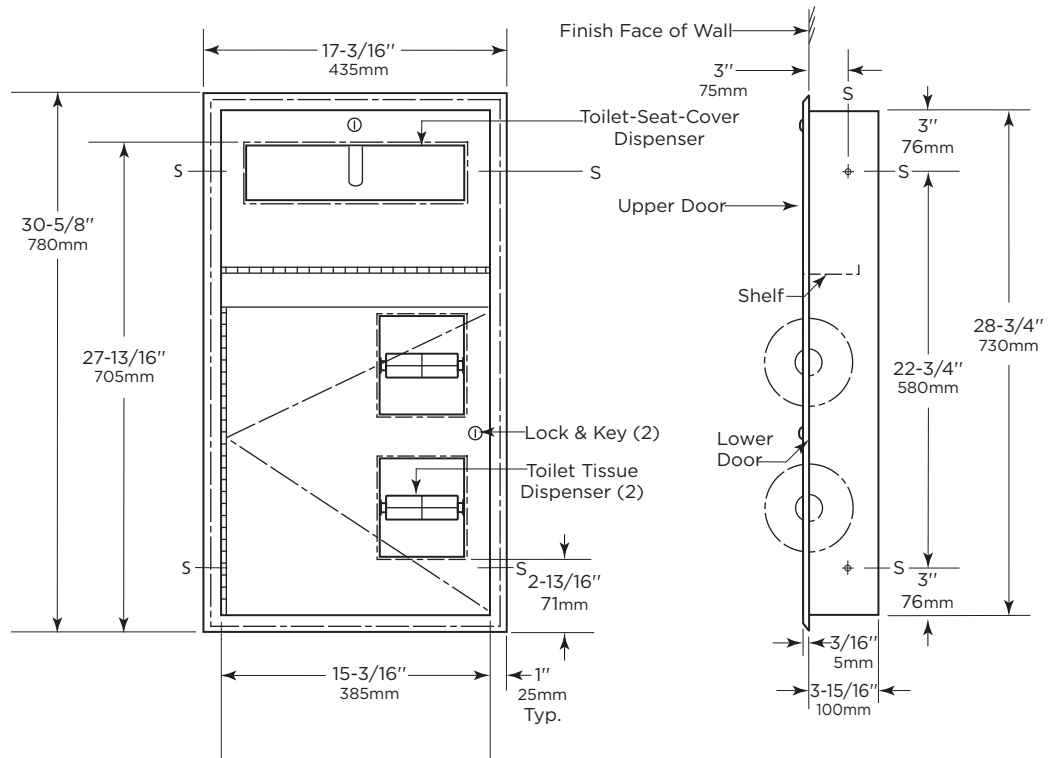




Technical Data

ClassicSeries® RECESSED TOILET TISSUE AND SEAT COVER DISPENSER - LEFT SIDE OF TOILET WHILE SEATED

B-3474



Note: For accessible toilet compartments, please use horizontal recessed or surface -mounted combination dispenser-/disposal-units, B-3091 or B-3092 Series, to comply with ADA 1-1/2" absolute Grab Bar wall spacing.

Rough Wall Opening
 16" (405mm) wide
 29-1/4" (745mm) high
 4" (102mm) minimum recessed depth
 See Designer's Notes under Installation for Rough Wall Opening Location Information

MATERIALS:

Cabinet — 18-8, Type-304, heavy-gauge stainless steel. All-welded construction. Exposed surfaces have satin finish.

Flange — 18-8, Type-304, 22-gauge (0.8mm) stainless steel with satin finish. Drawn and beveled, one-piece, seamless construction.

Doors (2) — 18-8, Type-304, 18-gauge (1.2mm) stainless steel with satin finish. One-piece, seamless construction. Secured to cabinet with a full-length stainless steel piano-hinge. Equipped with a tumbler lock keyed like other Bobrick washroom accessories.

Toilet Tissue Dispensers (2) — .100" (2.5mm) thick ABS. Equipped with two theft-resistant, heavy-duty, one-piece, molded ABS spindles.

continued . . .

OPERATION:

Doors unlock with key provided and swing open for filling. Toilet seat-cover dispenser holds 500 single- or half-fold paper covers. Spindles may be removed from cabinet when door is open. Unit holds two standard-core toilet tissue rolls up to 5-1/4" (135mm) diameter (1800 sheets).

Designer's Note: It is recommended that one full toilet tissue roll remain wrapped until the other roll has been depleted to avoid wasting ends of both rolls.

INSTALLATION:

Provide framed rough wall opening 16" wide x 29-1/4" high (405 x 745mm). Minimum recessed depth required from finish face of wall is 4" (102mm). Allow clearance for construction features that may protrude into rough wall opening from opposite wall. Coordinate with mechanical engineer to avoid pipes, vents, and conduits in wall. If unit projects above top of wainscot, provide aluminum channel or other filler to eliminate gap between flange and finish face of wall. Mount unit in wall opening with shims between framing and cabinet at all points indicated by an S, then secure unit with #8 x 1-1/4" (4.2 x 32mm) sheet-metal screws (not furnished).

Designer's Notes:

1. Recessed B-3474 mounts flush against side wall in toilet compartment and has toilet tissue dispenser on right side of unit.
2. For unit to mount on right side of toilet (when seated on toilet) see model B-34745.
3. For visual placement of models inside toilet compartment, refer to Technical Bulletin TB-92.
4. For rotation of cutout on toilet partition panel, refer to Technical Bulletin TB-55.

SPECIFICATION:

Recessed toilet seat-cover and toilet tissue dispenser shall be Type-304 stainless steel with all-welded construction; exposed surfaces shall have satin finish. Toilet tissue dispenser shall be ABS plastic. Flange shall be drawn and beveled, one-piece, seamless construction. Doors shall be one-piece, seamless construction; secured to cabinet with a full-length stainless steel piano-hinge; and equipped with a tumbler lock keyed like other Bobrick washroom accessories. Toilet seat-cover dispenser holds 500 paper covers. Unit shall be equipped with two theft-resistant, heavy-duty ABS toilet tissue spindles that hold standard-core rolls up to 5-1/4" (135mm) diameter (1800 sheets). Spindles shall be removable when door is open.

Recessed Seat-Cover And Toilet Tissue Dispenser shall be Model B-3474 of Bobrick Washroom Equipment, Inc., Clifton Park, New York; Jackson, Tennessee; Los Angeles, California; Bobrick Washroom Equipment Company, Scarborough, Ontario; Bobrick Washroom Equipment Pty. Ltd., Australia; and Bobrick Washroom Equipment Limited, United Kingdom.