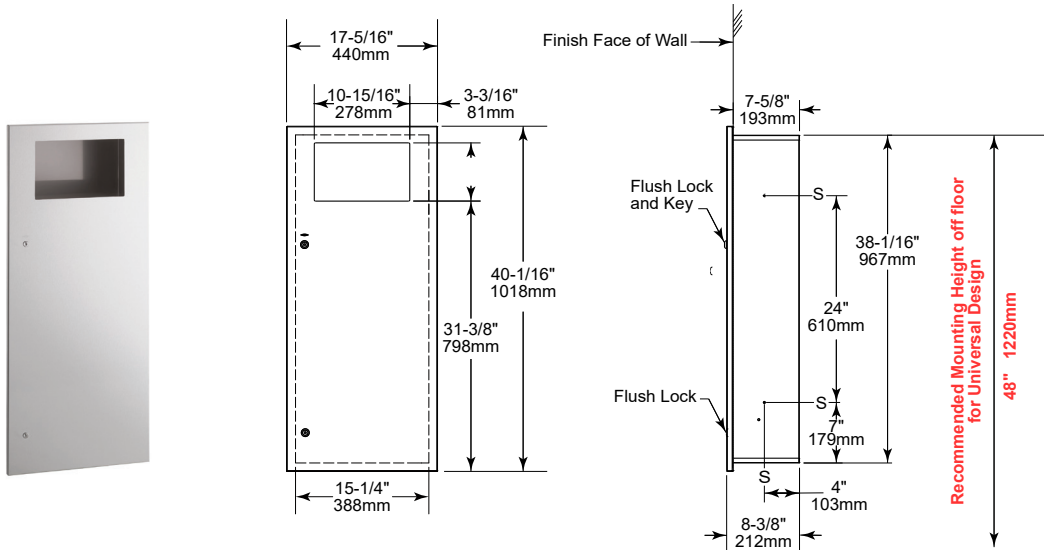




Technical Data

TrimLineSeries™ RECESSED WASTE RECEPTACLE

B-35643



Rough Wall Opening
 15-3/4" (400mm) wide
 38-1/2" (978mm) high
 7-11/16" (195mm) min depth

MATERIALS:

Cabinet — 18-8, Type-304, heavy-gauge stainless steel. All-welded construction. Exposed surfaces have satin-finish.

Door — 18-8, Type-304, 18-gauge (1.2mm) stainless steel with satin-finish. Secured to cabinet with a concealed, full-length stainless steel piano-hinge. Equipped with two tumbler locks keyed like other Bobrick washroom accessories. Tumbler locks flush with the door - no protrusion.

Waste Receptacle — Leak-proof, rigid molded plastic waste receptacle. Removable for servicing. Capacity: 12-gal. (45.4-L).

OPERATION:

To service waste receptacle, unlock door with key provided and remove waste container. Cable door-swing limiter prevents damage to washroom accessories and walls.

INSTALLATION:

Provide framed rough wall opening 15-3/4" wide x 38-1/2" high (400 x 978mm). Minimum recessed depth required from finish face of wall is 7-11/16" (195mm). Allow clearance for construction features that may protrude into rough wall opening from opposite wall. Coordinate with mechanical engineer to avoid pipes, vents, and conduits in wall. Mount cabinet with shims between framing and cabinet at all points indicated by an S, then secure unit with (4) #10 x 1-1/4" (4.8 x 32mm) sheet-metal screws (not furnished).

Replacement Parts:

Skirt Kit	35649-53
Door Replacement Kit	35649-173
Lock and Key	38030-20
Plastic Waste Receptacle	39003-31

SPECIFICATION:

Recessed waste receptacle shall be Type-304 stainless steel with all-welded construction; exposed surfaces shall have satin finish. Door shall be Type-304, 18 gauge (1.2mm) secured to cabinet with a concealed, full-length stainless steel piano-hinge, cable door-swing limiter and equipped with two tumbler locks keyed like other Bobrick washroom accessories. Tumbler locks flush with the door - no protrusion. Waste receptacle shall be furnished with a removable, leak-proof, rigid molded plastic waste-container with a minimum capacity of 12-gal. (45.4-L).

Recessed Waste Receptacle shall be Model B-35643 of Bobrick Washroom Equipment, Inc., Clifton Park, New York; Jackson, Tennessee; Los Angeles, California; Bobrick Washroom Equipment Company, Scarborough, Ontario; Bobrick Washroom Equipment Pty. Ltd., Australia; and Bobrick Washroom Equipment Limited, United Kingdom.