

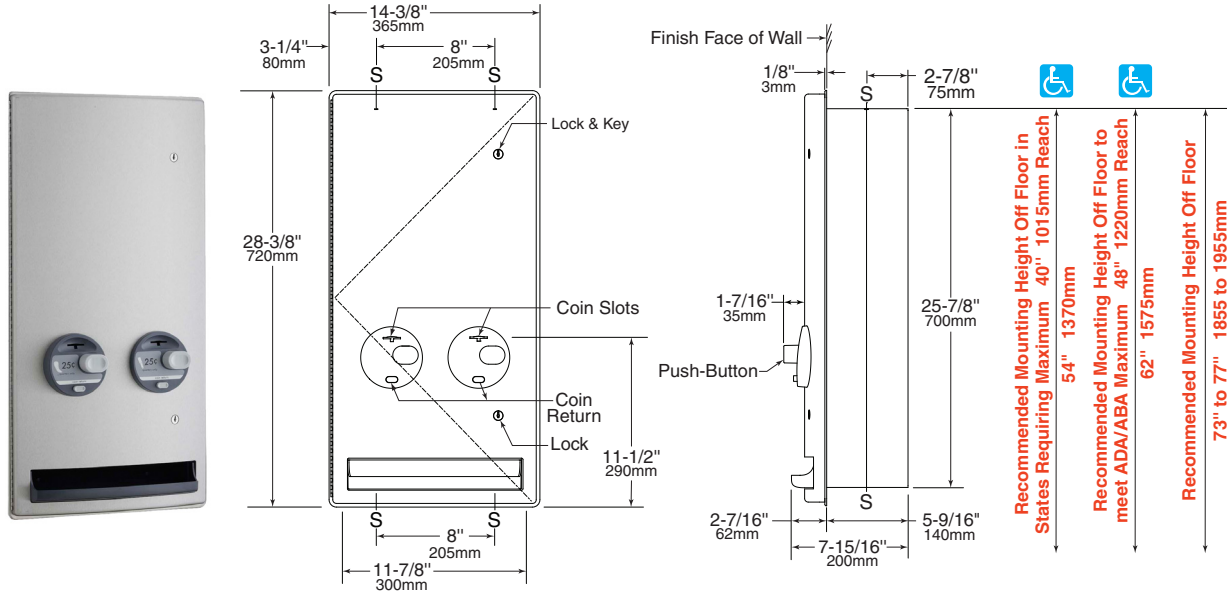


Technical Data

ConturaSeries[®] RECESSED NAPKIN/TAMPON VENDOR

B-4706 SERIES

Specify Model Required: B-4706 25 Recessed 25¢ single-coin operation
 B-4706C Recessed Free no-coin operation



Rough Wall Opening
 12-1/2" (320mm) wide
 26-3/8" (670mm) high
 5-9/16" (140mm) minimum
 recessed depth

MATERIALS:

Cabinet — 18-8, Type-304, 18-gauge (1.2mm) stainless steel. All-welded construction.

Flange — 18-8, Type-304, 22-gauge (0.8mm) stainless steel with satin finish. Drawn, one-piece, seamless construction. Radius on corners and return edges complement corners and edges on door.

Door — 18-8, Type-304, 18-gauge (1.2mm) stainless steel with satin finish. Drawn, one-piece, seamless construction. Front of door has same degree of arc as other Bobrick Contura Series washroom accessories. Radius on corners and edges of door match other Contura Series accessories. Secured to cabinet with a full-length stainless steel piano-hinge. Equipped with a stainless steel cable door-swing limiter and two flush tumbler locks keyed like other Bobrick washroom accessories. Door has no brand-name advertising for products dispensed. Can be replaced in the field. Graphic symbols identify product dispensed and coin denomination.

Coin Mechanisms (Not Included in Free Vending Units) (2) — Impact-Resistant PC-ABS Push Buttons. Coin mechanisms can be converted in the field to any standard coin denomination (Free, 25¢ or 50¢) order Part No. 3706-250 for Free Vend Conversion Kit. Accepts one or two quarters (U. S. or Canadian) as designated by factory setting. Coin Box is equipped with tumbler lock that opens with different key than furnished for door locks..

Coin Return Push-Button (2) — Impact-Resistant PC-ABS Push-Button cancels selection and returns coin into product tray.

Product Tray — Impact-Resistant PC-ABS, provides convenient access to dispensed product.

continued . . .

OPERATION:

After coin is inserted in dispensing mechanism of patron's choice, pushing button dispenses boxed sanitary napkin or tampon tube. Mechanical operations; no batteries or electricity required. Coin slot of each dispensing mechanism is identified by a graphic symbol. Capacity: 20 sanitary napkins and 30 tampons. Coin slots are automatically blocked with a red indicator when supply is depleted. Coin Return Push-Button cancels the selection and returns coin into product tray. Wrong coins (penny, nickel, dime) by-pass mechanisms and drop into product tray. Vendor dispenses sanitary napkin packages measuring 2-7/8" x 3/4" x 4-1/8" to 3-1/8" x 1-1/8" x 4-3/8" (73 x 19 x 105mm to 80 x 29 x 111mm) and tampon tubes measuring 4-5/8" long x 9/16" diameter minimum to 5-1/8" long x 3/4" diameter maximum (118 x 14 to 130 x 19mm).

INSTALLATION:

Provide framed rough wall opening 12-1/2" wide x 26-3/8" high (320 x 670mm). Minimum recessed depth required to finish face of wall for fully recessing the unit is 5-9/16" (140mm). Allow clearance for construction features that may protrude into opening from opposite wall. Coordinate with mechanical engineer to avoid pipes, vents, and conduits. If unit projects above top of wainscot, provide aluminum channel or other filler to eliminate gap between flange and finish face of wall. Insert cabinet, then secure unit with four sheet-metal screws, (not furnished), at points indicated by a S.

SPECIFICATION:

Recessed sanitary napkin/tampon vendor shall combine two dispensing mechanisms in one cabinet to provide sanitary napkins or tampons at user's option. Mechanical operations; no batteries or electricity required. Dispensing mechanisms shall be pre-set at factory for _____ (insert one: Free, 25¢ or 50¢) operation, but shall be convertible in the field to allow the change of coin denomination without removing unit from wall. Door shall be furnished with graphics indicating specified coin denomination. Unit shall be Type-304 stainless steel with all-welded construction; exposed surfaces shall have #4 satin finish. Front of door shall have same degree of arc and match other Bobrick ConturaSeries accessories in the washroom. Radius on corners and edges of flange and door shall complement other Bobrick ConturaSeries washroom accessories. Flange shall be drawn, one-piece, seamless construction. Door shall be drawn, 18-gauge (1.2mm), one-piece, seamless construction; secured to cabinet with a full-length stainless steel piano-hinge; and equipped with a stainless steel cable door-swing limiter and two flush tumbler locks keyed like other Bobrick washroom accessories. Vendor product selection and coin return pushbutton-operation shall be certified ADA-ABA, ICC/ANSI A117.1 complaint by third party (certification available on request) for operation with one hand with less than 5 pounds of force (22.2 N) without tight grasping, pinching or twisting of the wrist. Push-Button coin return shall cancel selection and return coin into product tray. Wrong coins (penny, nickel, dime) shall by-pass mechanisms and drop into product tray. Product tray shall be impact-resistant PC-ABS plastic and provide easy access to dispensed product. Coin Box shall be equipped with a tumbler lock that is keyed differently than door locks. Unit shall not carry brand-name advertising.

Recessed Napkin/Tampon Vendor shall be Model _____ (insert model number) of Bobrick Washroom Equipment, Inc., Clifton Park, New York; Jackson, Tennessee; Los Angeles, California; Bobrick Washroom Equipment Company, Scarborough Ontario; Bobrick Washroom Equipment Pty. Ltd., Australia; and Bobrick Washroom Equipment Limited, United Kingdom.