

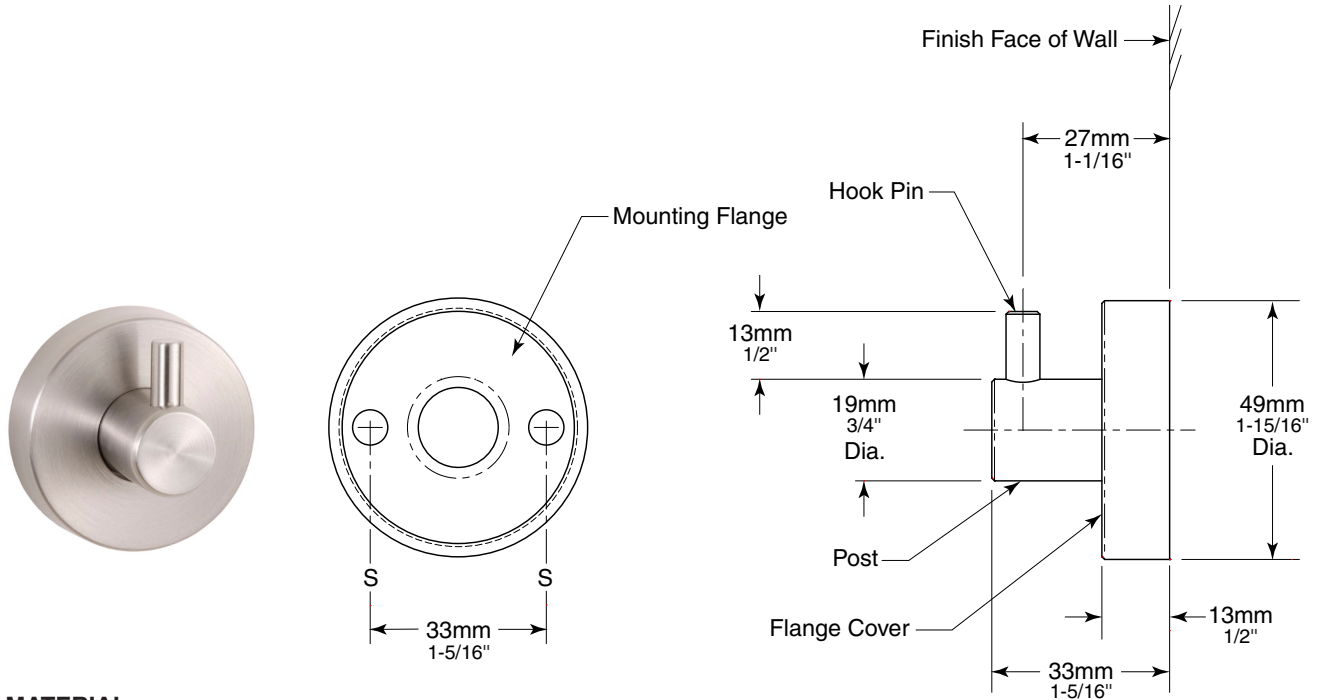


# Technical Data

# COAT HOOK

# B-542 B-5426

- Specify Model Required:  B-542 Satin-finish stainless steel  
 B-5426 Bright Polished stainless steel



### MATERIAL:

**Post** — 18-8, type-304, 19mm (3/4") diameter, solid stainless steel rod. Post and Concealed Mounting Threaded Flange are machined as one piece.

**Hook Pin** — 18-8, type-304, 6.4mm diameter (1/4"), solid stainless steel rod with thread to screw into Post.

**Concealed Mounting Threaded Flange** — 18-8, type-304, 5.6mm (7/32") thick, stainless steel plate with thread on outside edge for fastening cover. 46mm (1-13/16") outside diameter with two holes for attachment to wall.

**Threaded Flange Cover** — 18-8, type-304, 1.4mm (17-gauge), machined stainless steel. 49mm (1-15/16") diameter 13mm (1/2") deep. Cover fastens over mounting flange to conceal mounting screws.

### INSTALLATION:

For plaster or dry wall construction, provide concealed backing to comply with local building codes, then secure unit with sheet-metal screws (not furnished). For other wall surfaces, provide fiber plugs or expansion shields for use with sheet-metal screws (not furnished), or provide 3mm (1/8") toggle bolts or expansion bolts.

For partitions with particle-board or other solid core, secure with sheet-metal screws (not furnished), or provide through-bolts, nuts, and washers. For hollow-core metal partitions, provide solid backing into which the sheet-metal screws (not furnished) can be secured.

### SPECIFICATION:

Coat Hook shall be type-304 stainless steel with \_\_\_\_\_ (insert one satin finish or bright polished) finish. Coat Hook shall have 19mm (3/4") diameter Post with 6.4mm (1/4") diameter Hook Pin. Concealed mounting flange shall be 5.6mm (7/32") thick stainless steel plate, 46mm (1-13/16") outside diameter and equipped with two screw holes for attachment and thread on outside edge to fasten cover. Threaded flange cover shall be 1.4mm (17-gauge) stainless steel, 49mm (1-15/16") diameter and shall fasten over mounting flange to conceal mounting screws. Post and mounting flange are to be machined as one piece.

Coat Hook shall be Model \_\_\_\_\_ (insert Model number) of Bobrick Washroom Equipment, Inc., Clifton Park, New York; Jackson, Tennessee; Los Angeles, California; Bobrick Washroom Equipment Company, Scarborough, Ontario; Bobrick Washroom Equipment Pty. Ltd., Australia; and Bobrick Washroom Equipment Limited, United Kingdom.