

Advisory Bulletin



BUILDING VALUE SINCE 1906

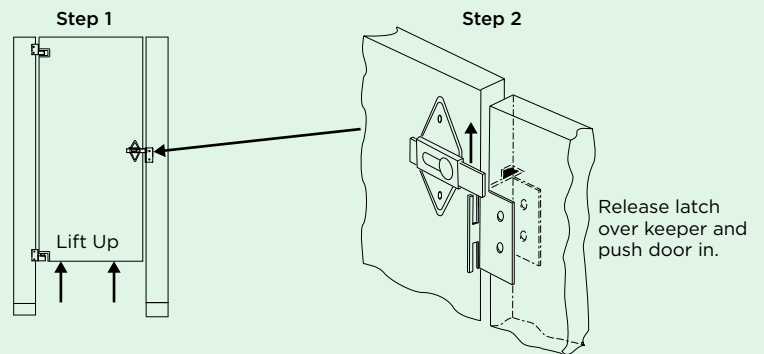
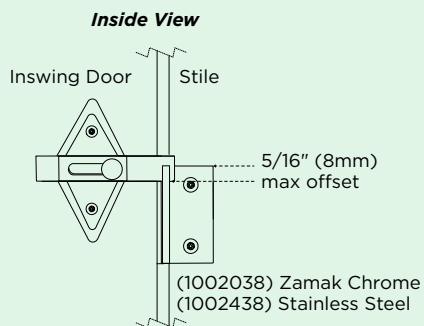
TB-113 Partitions Hardware with Emergency Access

Traditional Partitions:

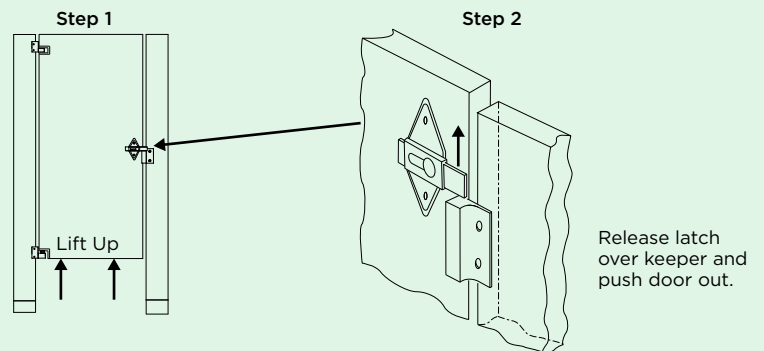
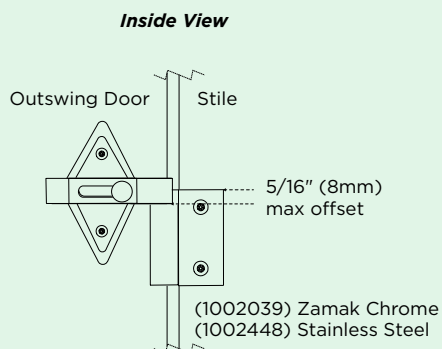
Budget HPL Series

Emergency Access: Latch allows door to be opened from outside of compartment by lifting bottom of the door to release the latch over the keeper.

Standard Inswing Keeper



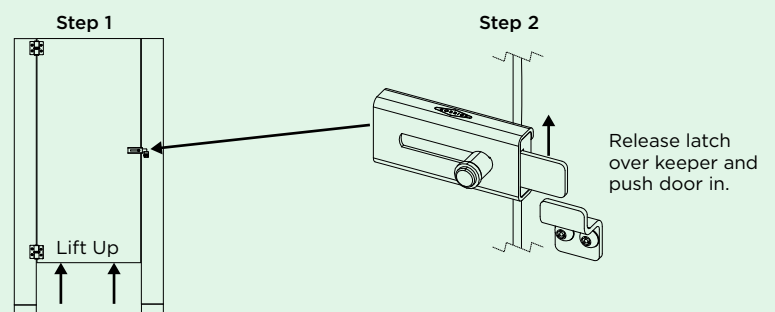
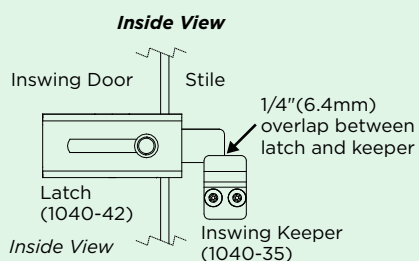
Standard Outswing Keeper



Traditional Partitions:

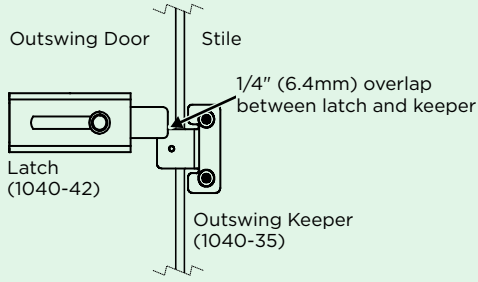
DuraLineSeries® CGL SierraSeries® SCRC DesignerSeries™ HPL TrimLineSeries™ HPL

Emergency Access: Latch allows door to be opened from outside of compartment by lifting bottom of the door to release the latch over the keeper.

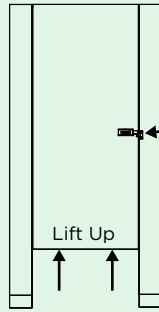


Standard Outswing Keeper

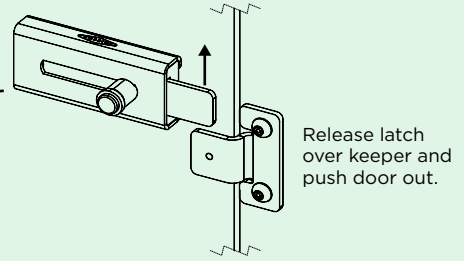
Inside View



Step 1

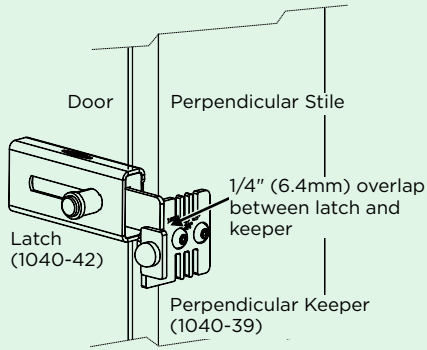


Step 2

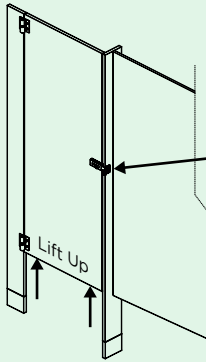


Perpendicular Keeper

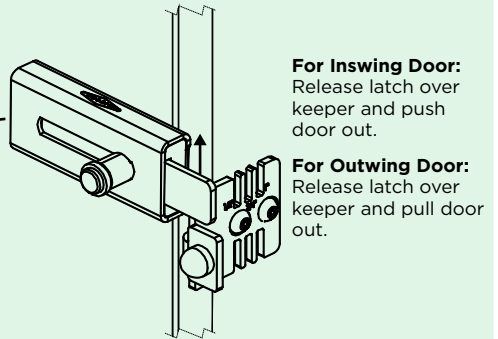
Inside View



Step 1



Step 2

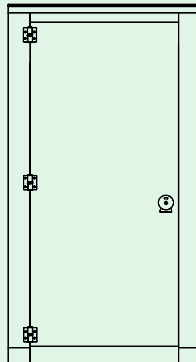
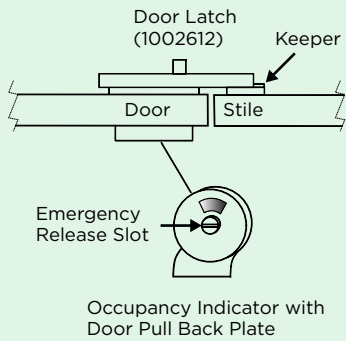


Traditional Partitions:

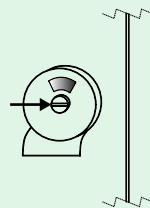
Occupancy Indicator Latch

Emergency Access: Latch allows door to be opened from the outside of the compartment with a standard flat head screw driver by turning the emergency release slot located in the center of the front indicator cover plate.

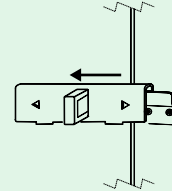
Top View



Outside View



Inside View

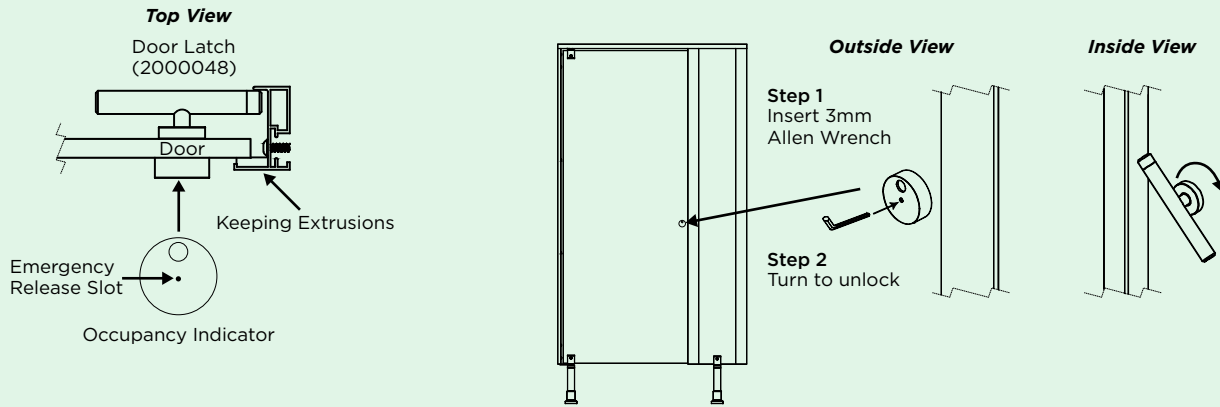


Step 1
Insert coin or flat head screwdriver

Step 2
Turn to unlock

Evolve Cubicles

Emergency Access: Latch allows door to be opened from outside of compartment by inserting a 3mm Allen Wrench into the emergency release slot, then turn to unlock.



PRIVADA Cubicles

Emergency Access: Latch allows door to be opened from outside of compartment by inserting a 3mm Allen Wrench into the emergency release slot, then turn to unlock.

